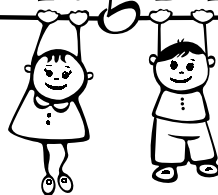


# Auto

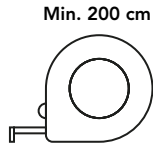
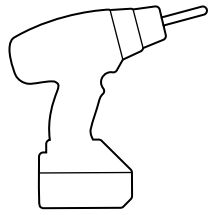
ART. NR. 7850042



Swing King

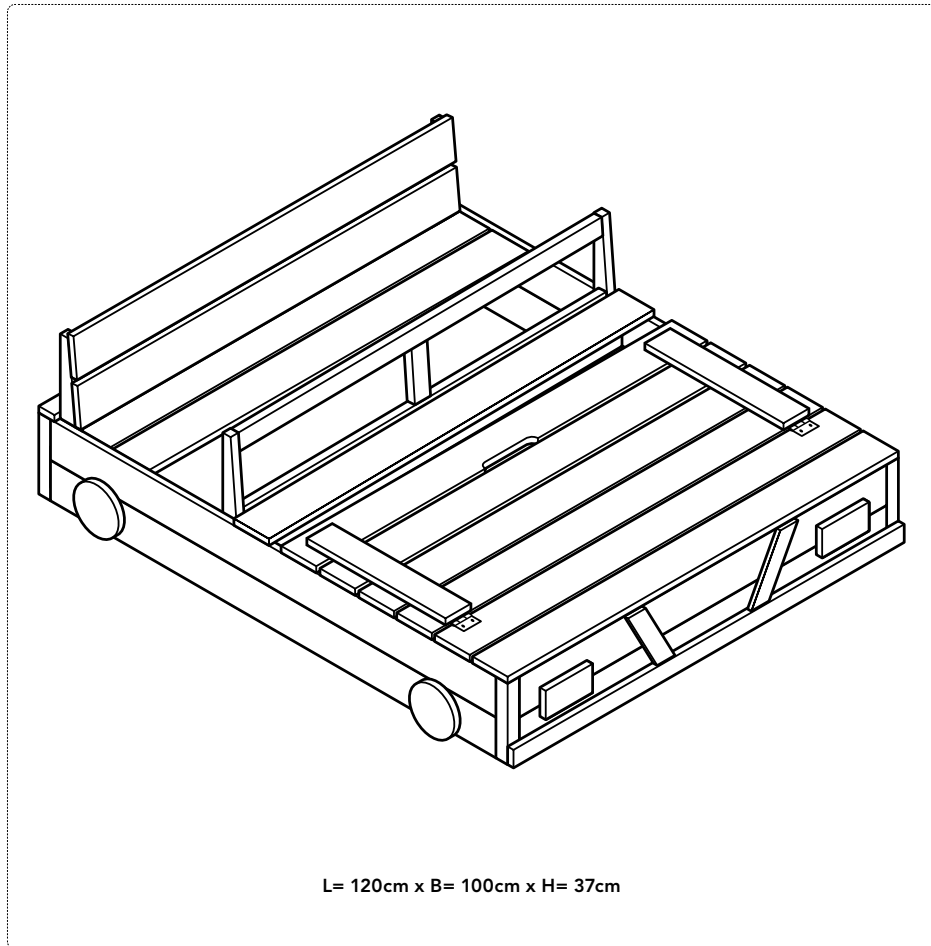
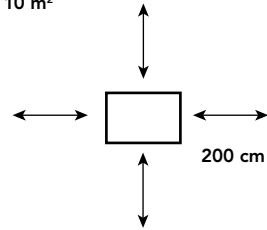


# Auto



Min. 200 cm

10 m<sup>2</sup>

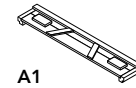


L= 120cm x B= 100cm x H= 37cm

C1

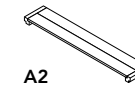


2x



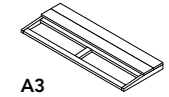
A1

1x



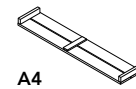
A2

1x



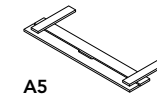
A3

1x



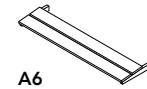
A4

1x



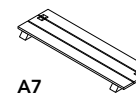
A5

1x



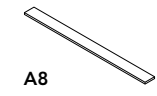
A6

1x



A7

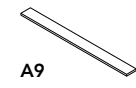
1x



A8

1140x90x15 mm

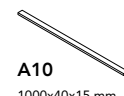
4x



A9

1000x90x15 mm

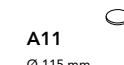
2x



A10

1000x40x15 mm

1x

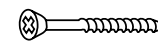


A11

Ø 115 mm

4x

B1 3x30mm



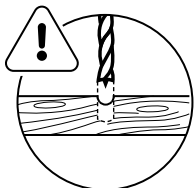
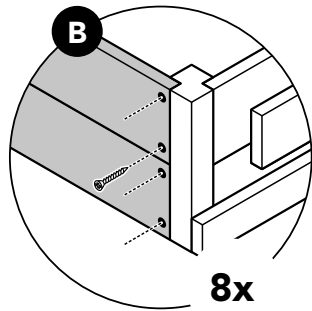
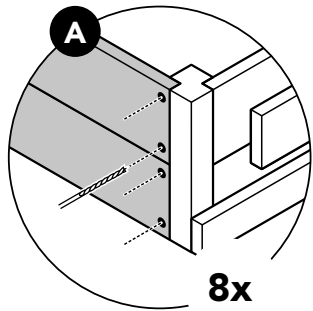
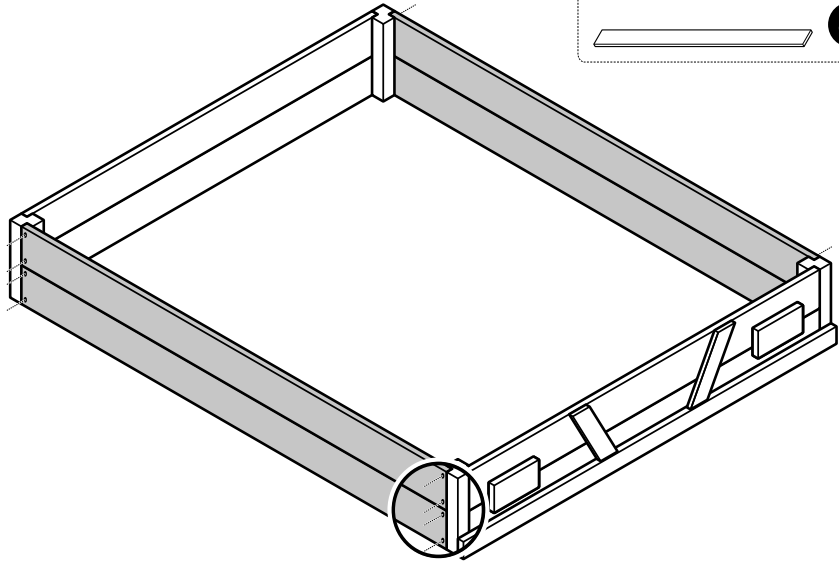
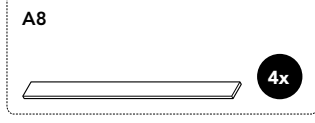
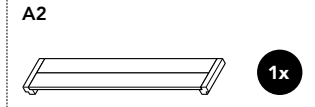
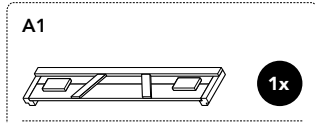
56x

B2 3x16mm

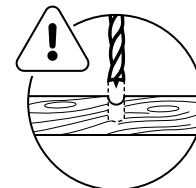
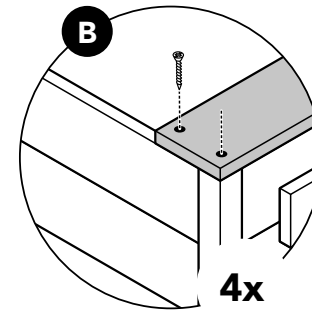
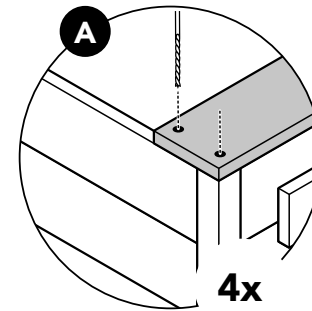
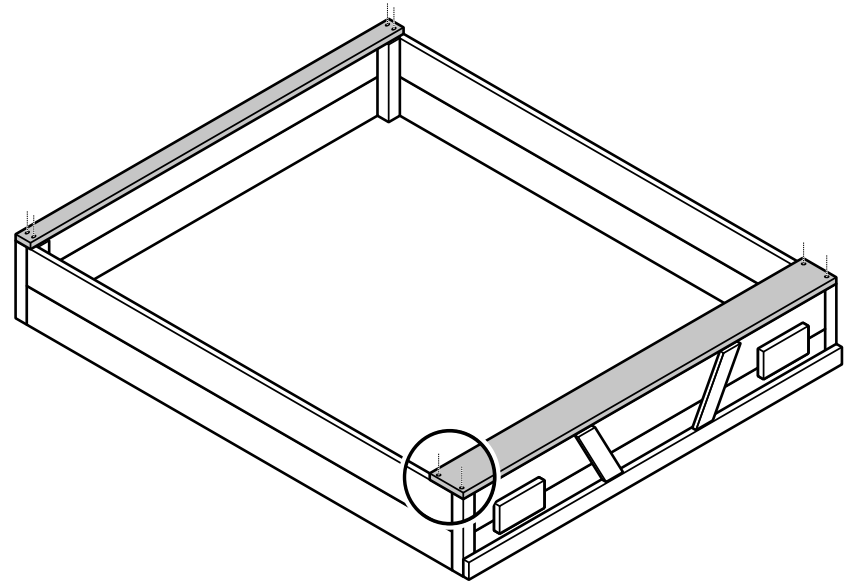
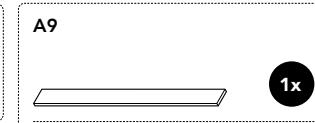
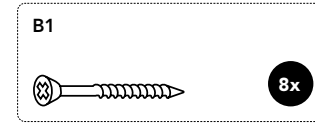


6x

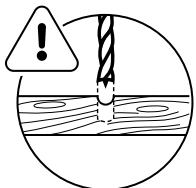
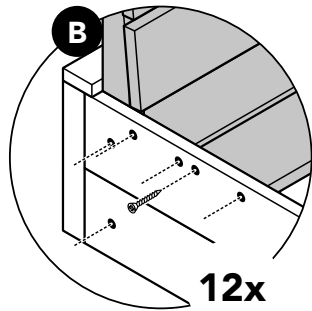
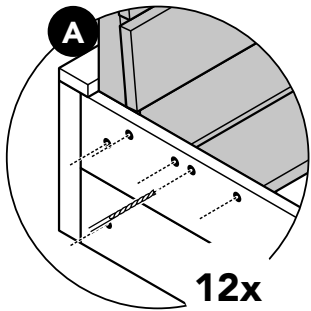
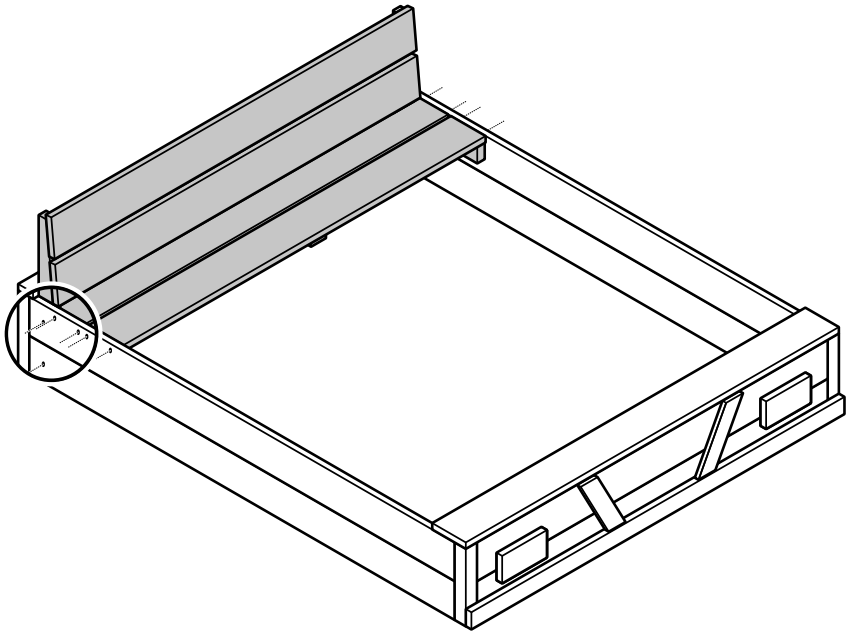
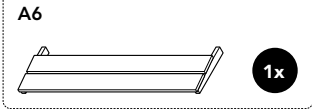
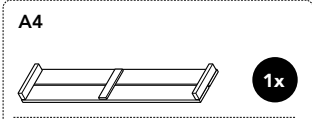
1



2

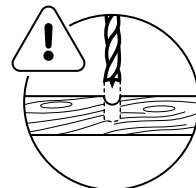
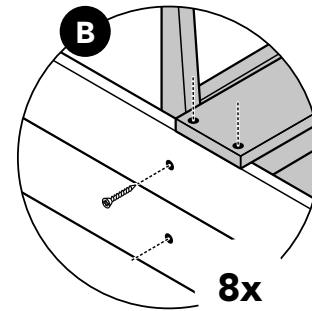
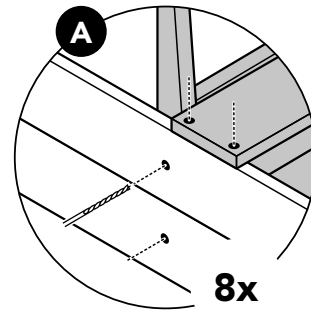
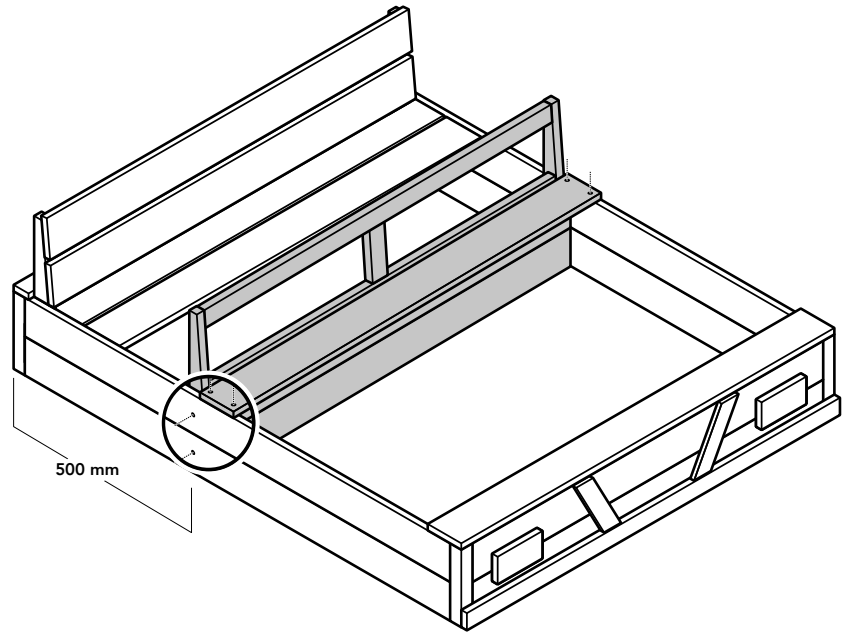
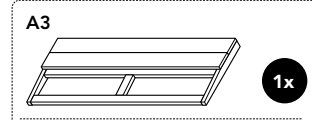


3



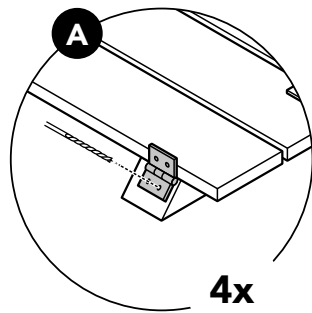
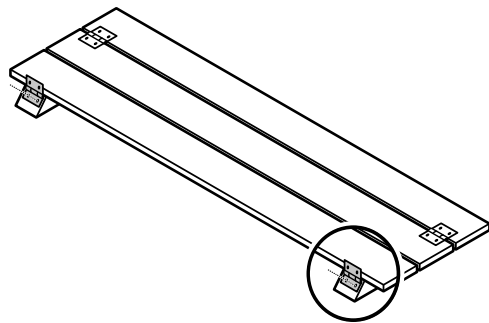
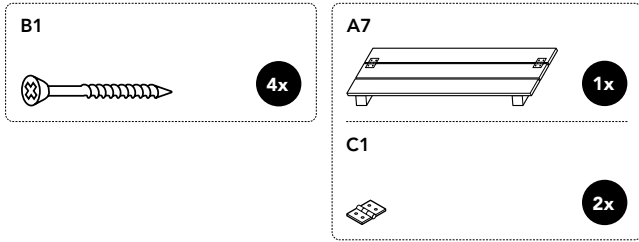
Ø 2 mm

4

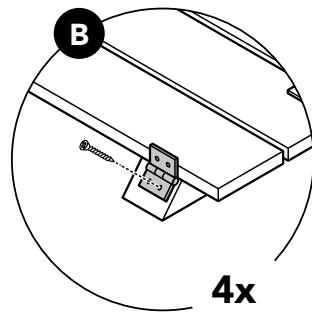


Ø 2 mm

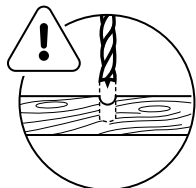
5



4x

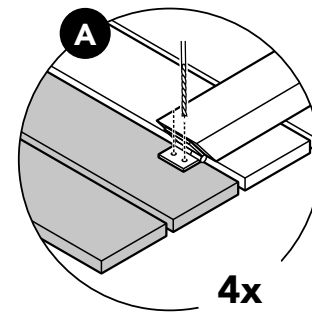
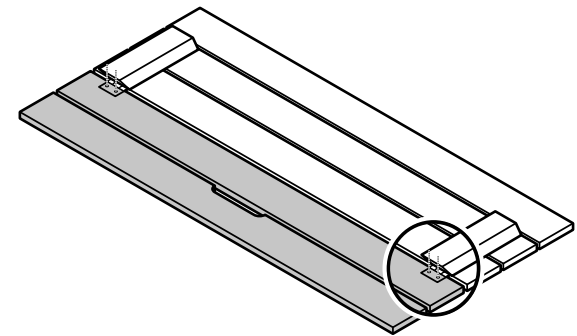
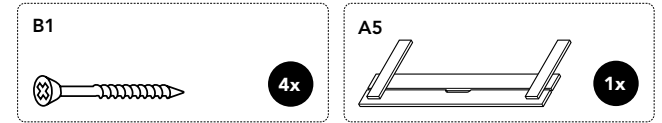


4x

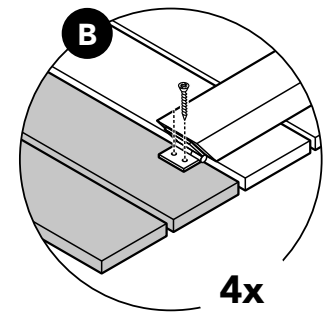


Ø 2 mm

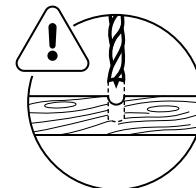
6



4x

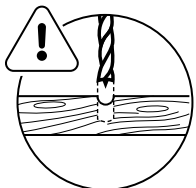
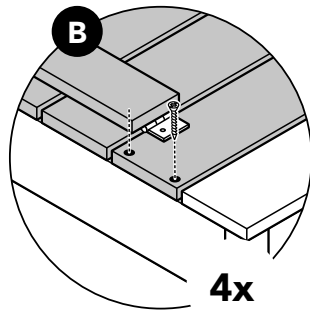
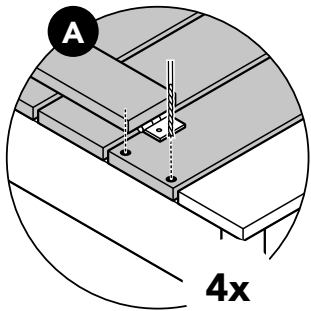
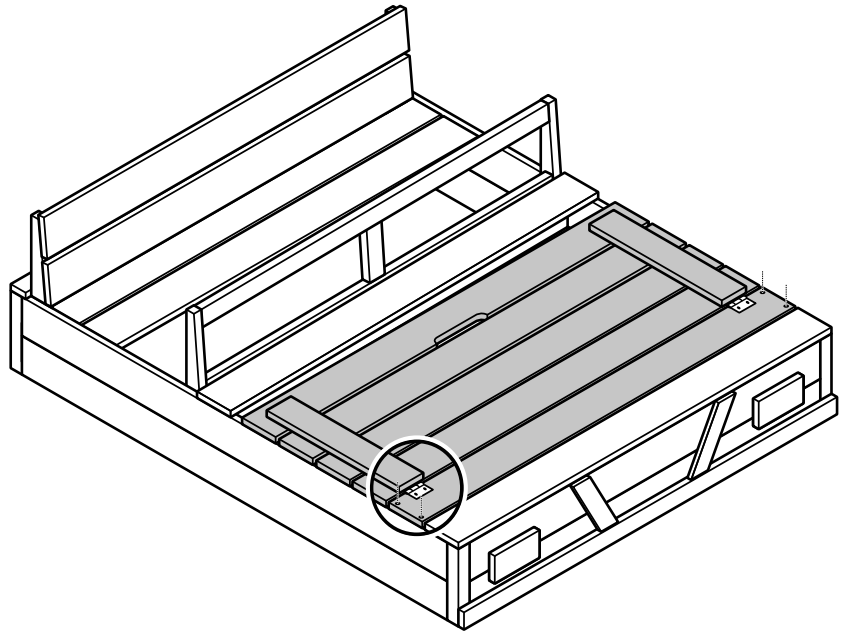
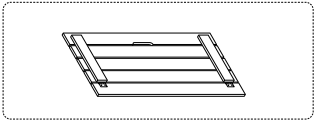
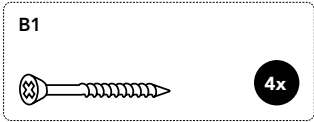


4x



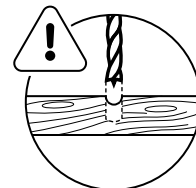
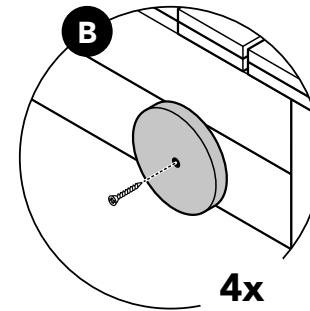
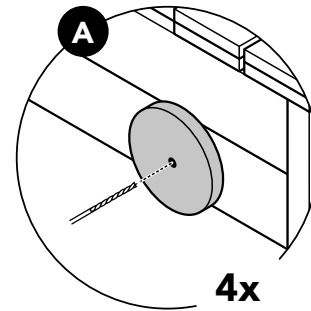
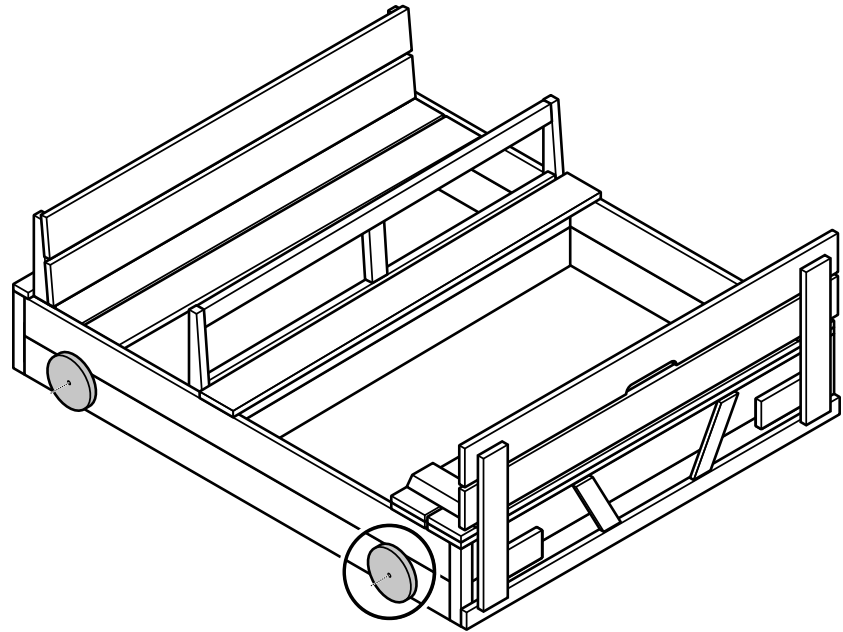
Ø 2 mm

7

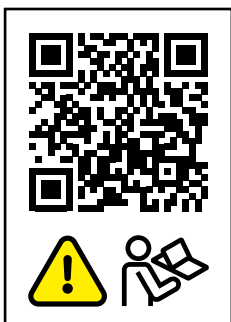


Ø 2 mm

8



Ø 2 mm



+31(0)318 692 221  
[www.swingking.nl](http://www.swingking.nl)

Swing King IS A BRAND OF:

**HAPRO** INTERNATIONAL

Morsestraat 6, 6716 AH Ede - The Netherlands

UK  
CE

