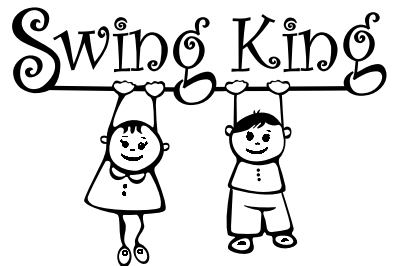
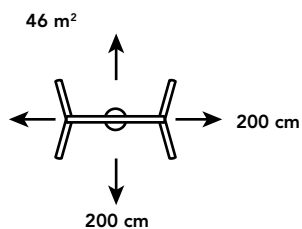
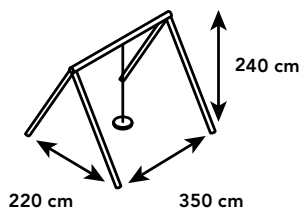
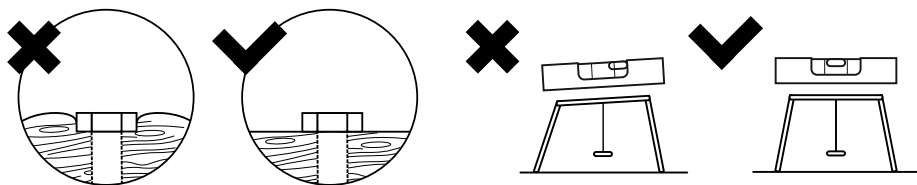
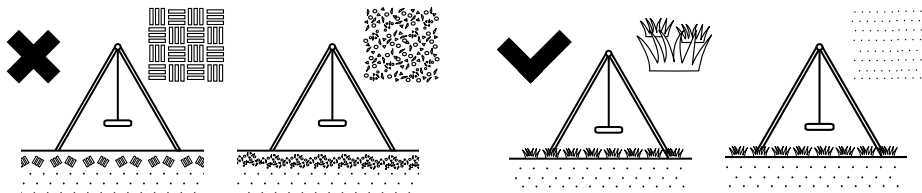
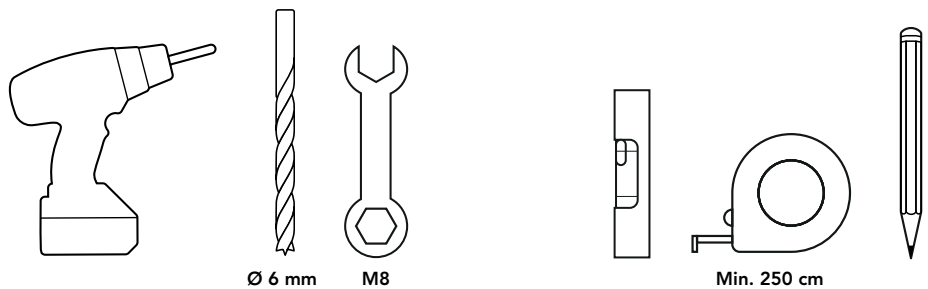



Charlotte

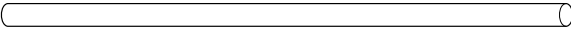
ART. NR. 7930002



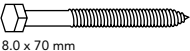
Charlotte



A1  1x
Ø 100 x 3000 mm

A2  4x
Ø 80 x 2500 mm

E1  5x
8.0 x 30 mm

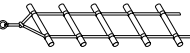
E2  8x
8.0 x 70 mm

B1  13x
M8


F1  5x

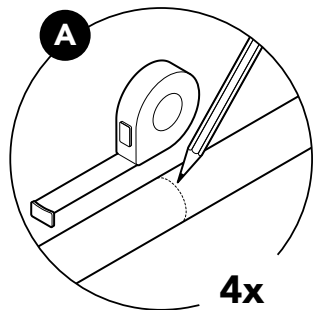
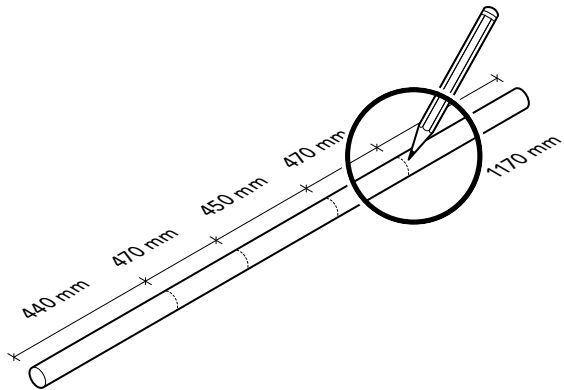
F2  2x

G1  2x

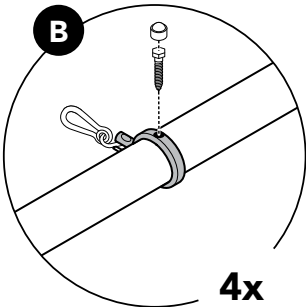
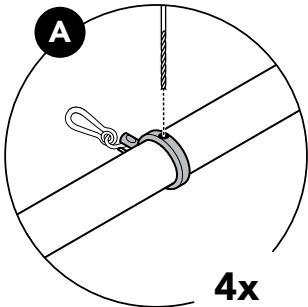
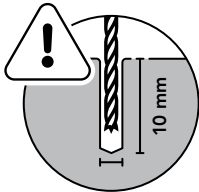
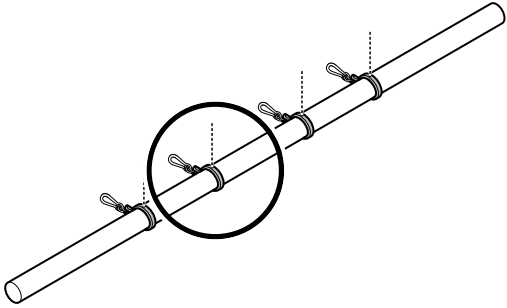
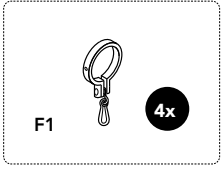
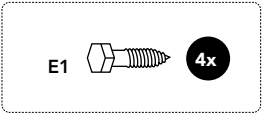
G2  1x

1

A1  1x

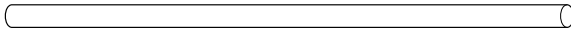


2



3

A2



4x

2x

B1



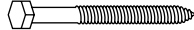
4x

F2

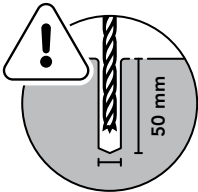
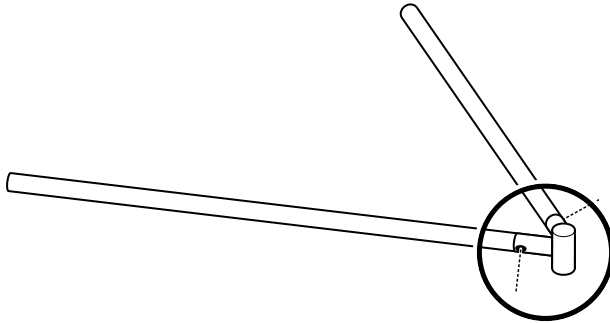


2x

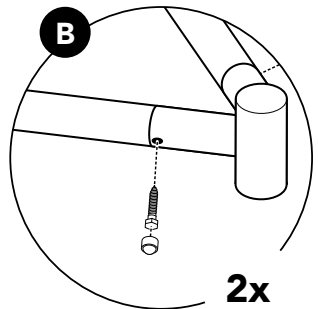
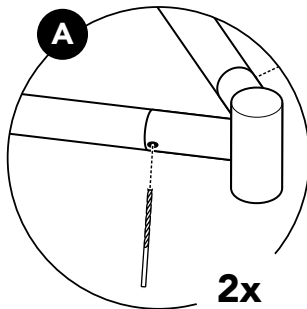
E2



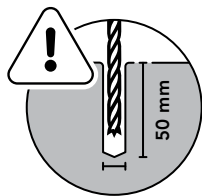
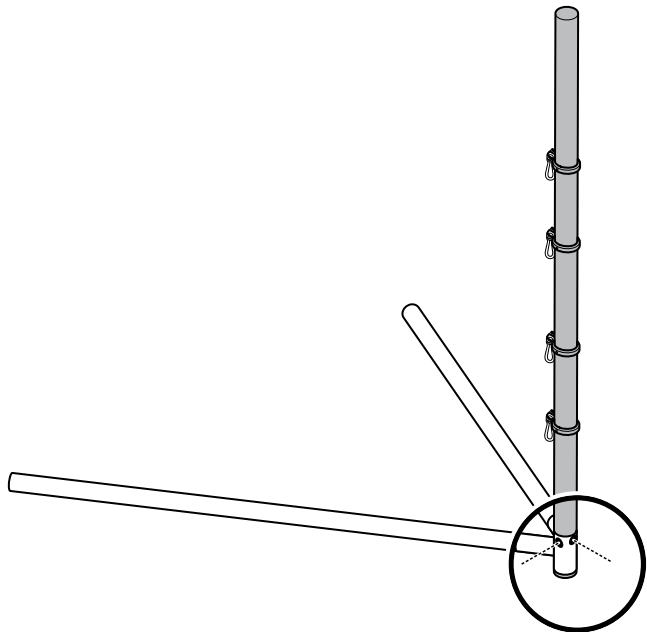
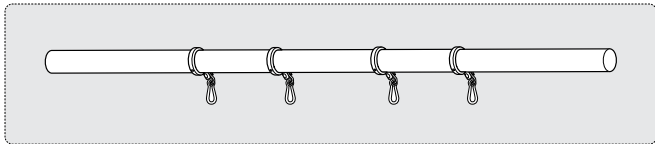
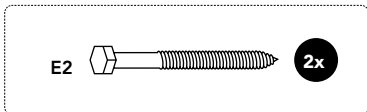
4x



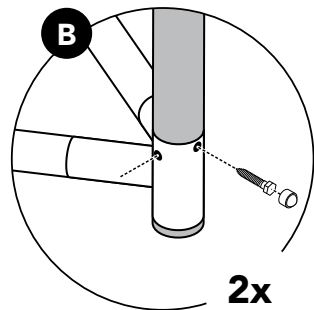
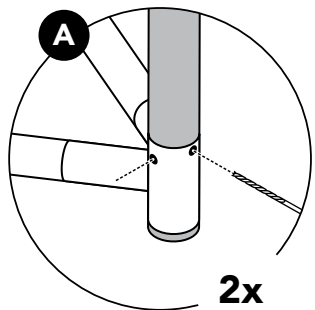
Ø 6 mm



4



Ø 6 mm



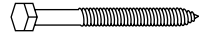
5

B1

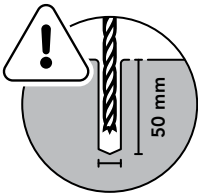
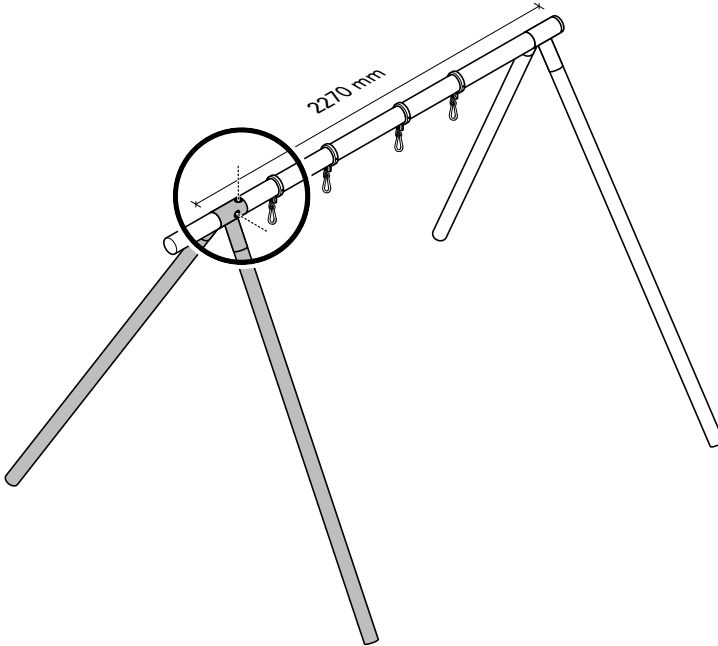


2x

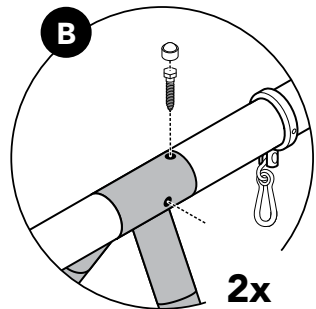
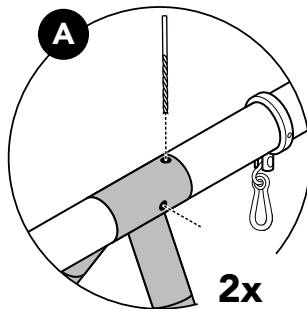
E2



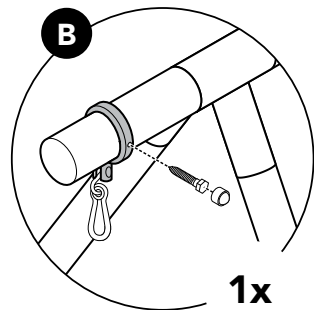
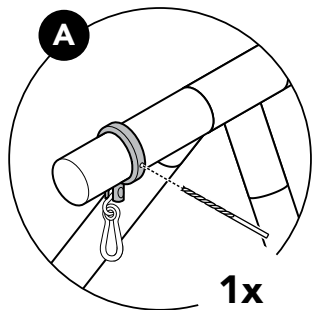
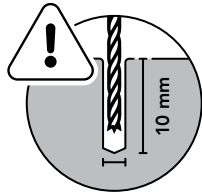
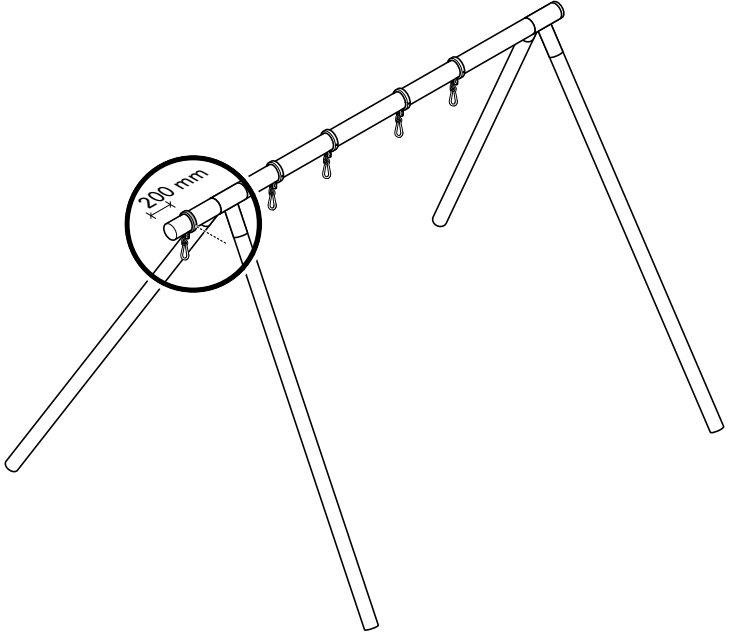
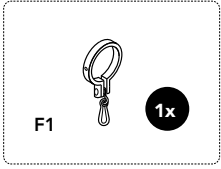
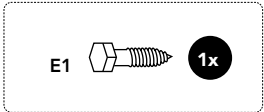
2x



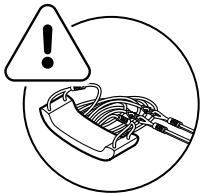
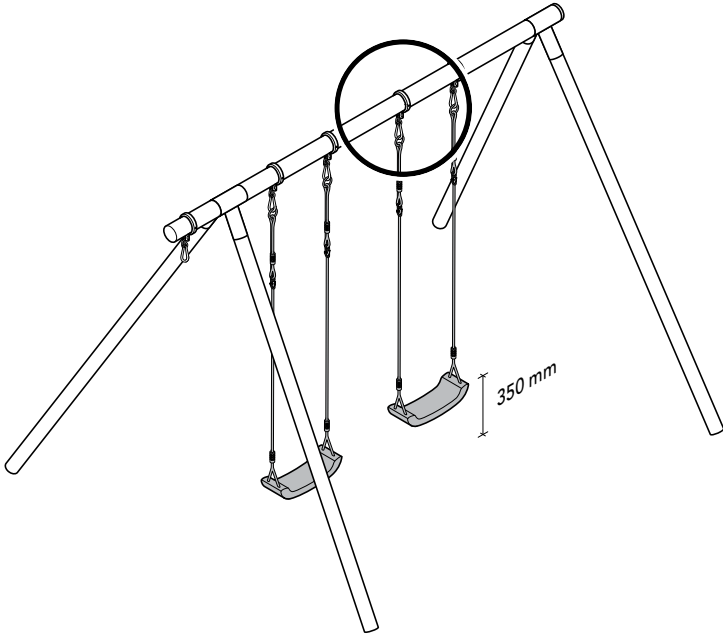
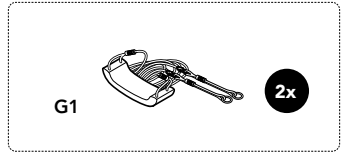
Ø 6 mm



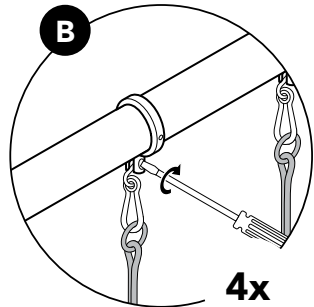
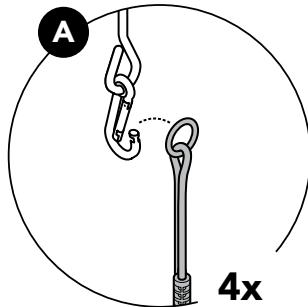
6



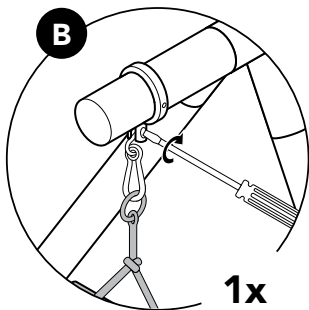
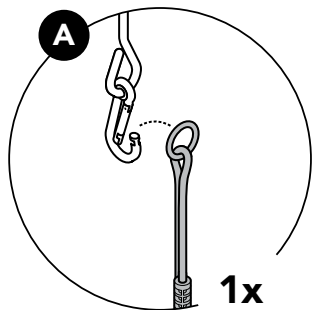
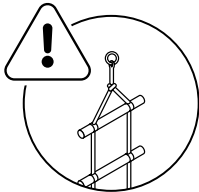
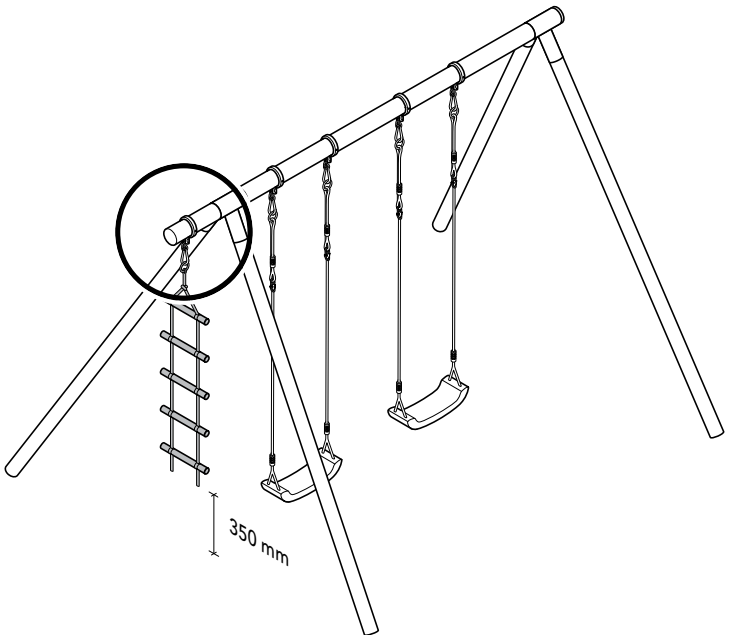
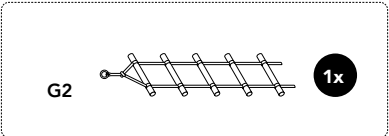
7

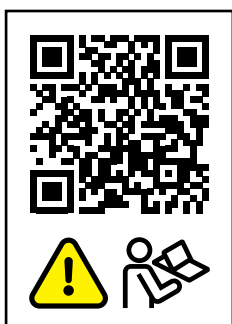


Max. 50 kg



8





+31(0)318 692 221
www.swingking.nl

Swing King IS A BRAND OF:

HAPRO INTERNATIONAL

Morsestraat 6, 6716 AH Ede - The Netherlands

UK
CE

