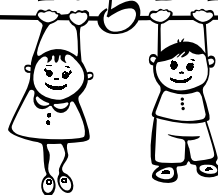


Chantal

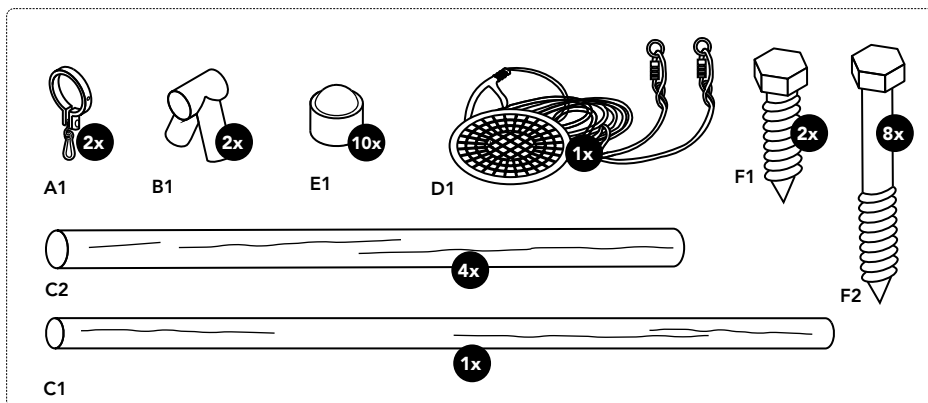
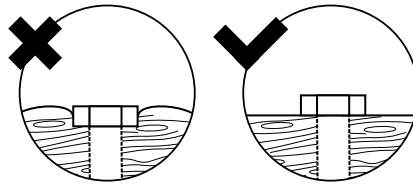
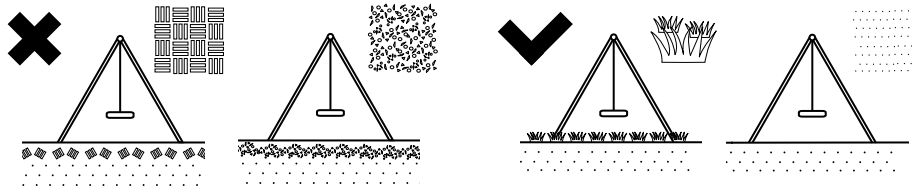
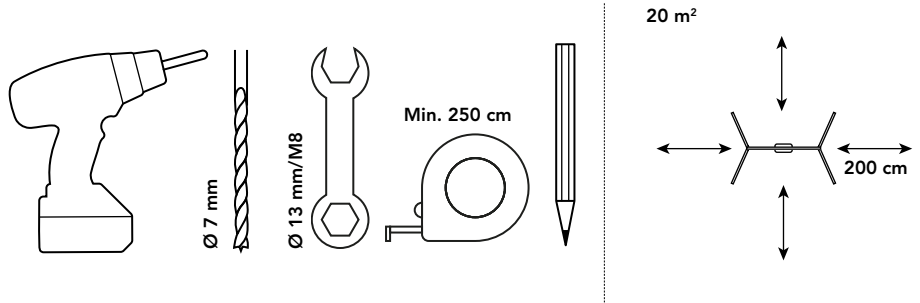
ART. NR. 7930004



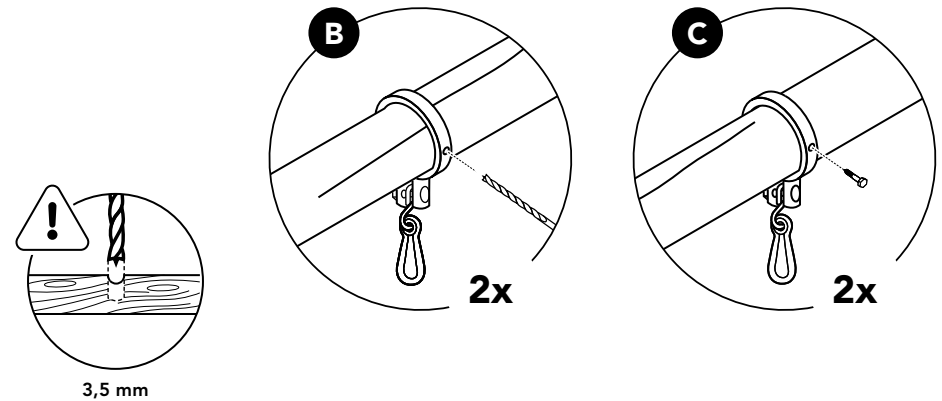
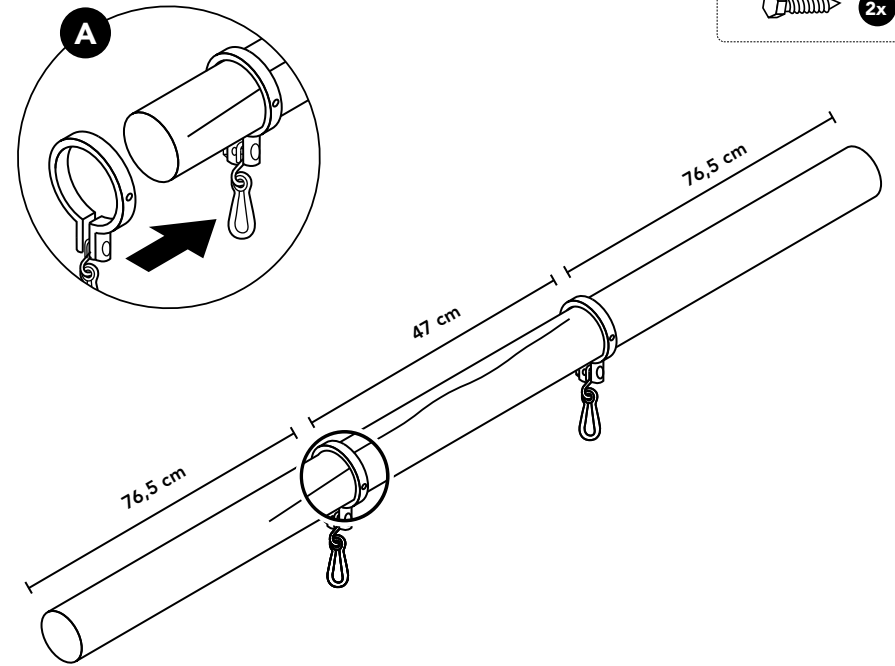
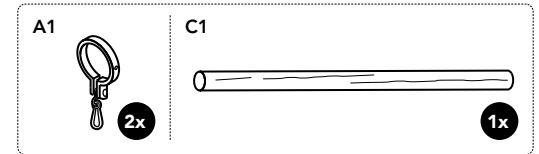
Swing King



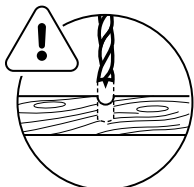
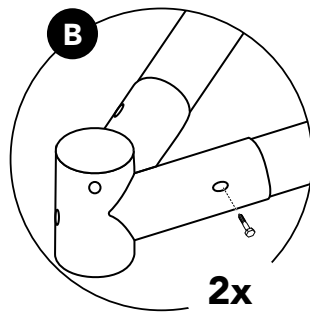
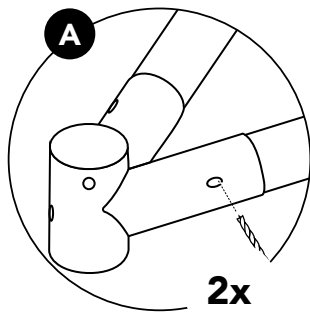
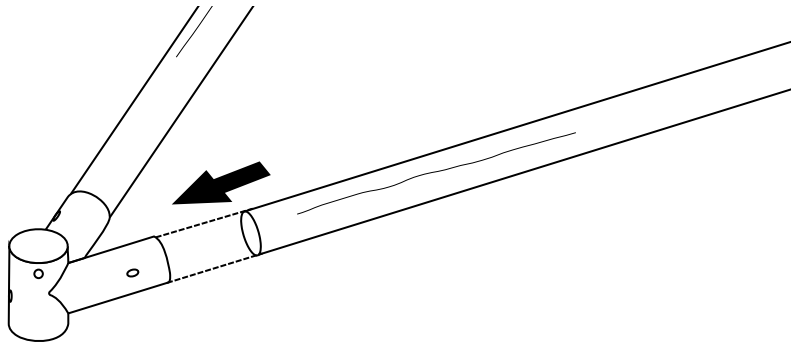
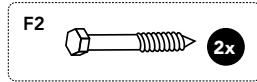
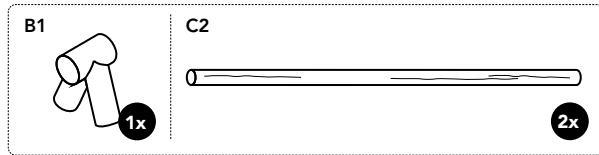
Chantal



1

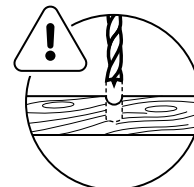
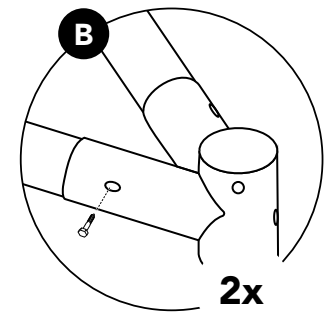
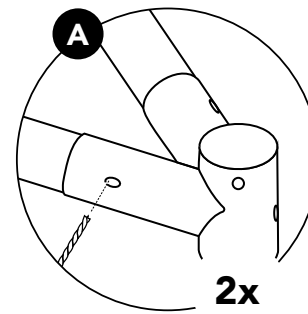
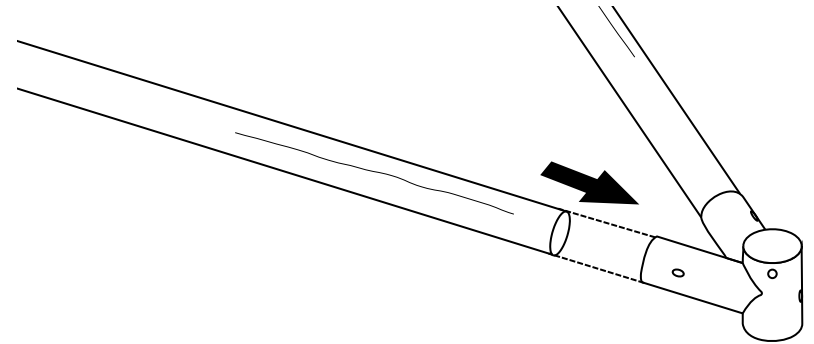
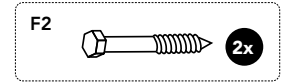
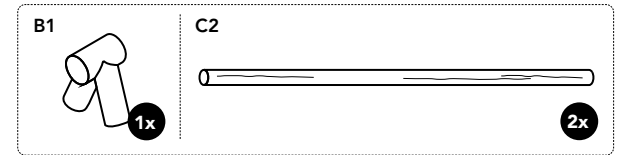


2



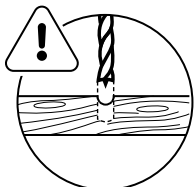
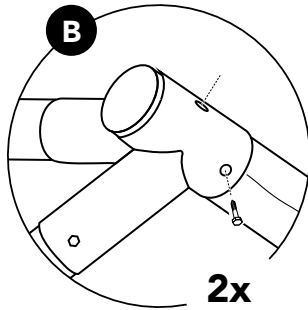
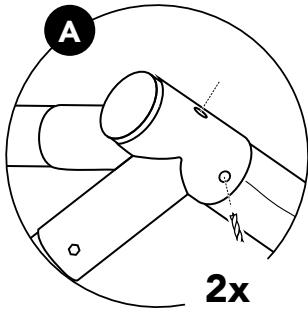
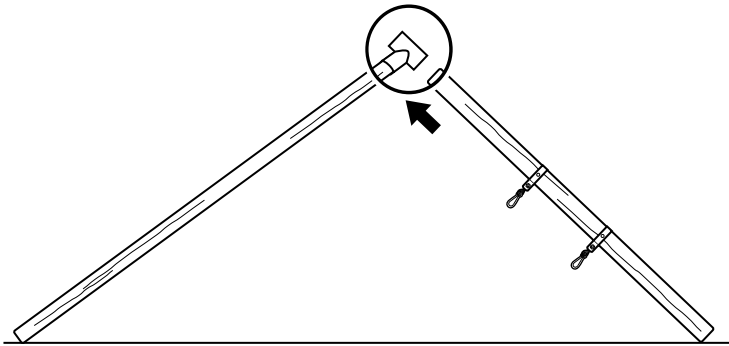
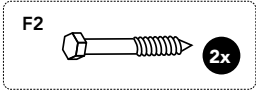
3,5 mm

3

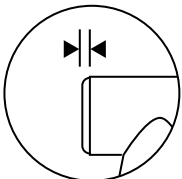


3,5 mm

4

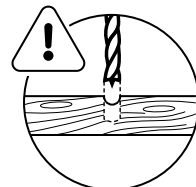
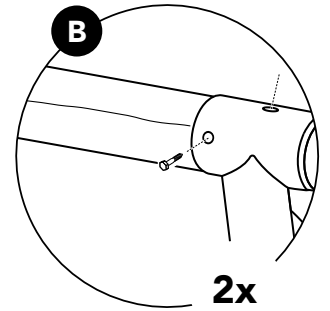
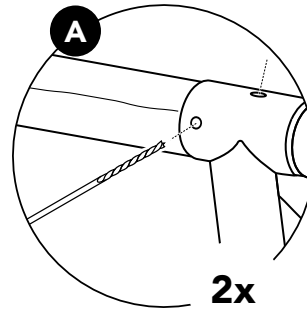
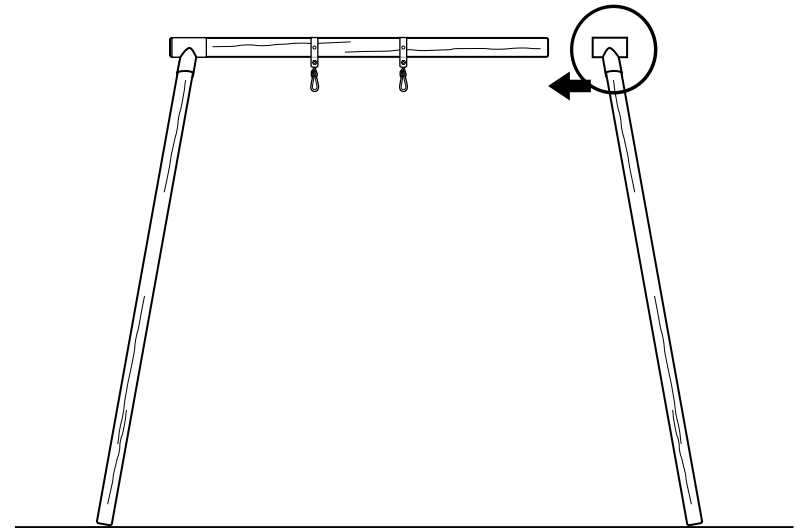
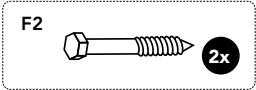


3,5 mm

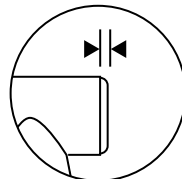


1 cm

5

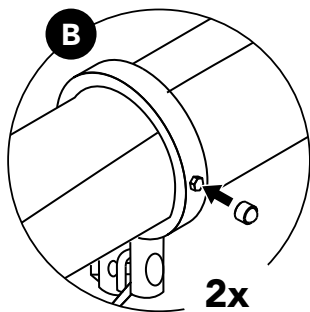
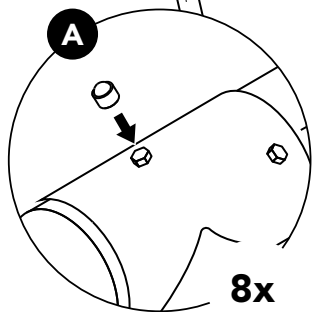
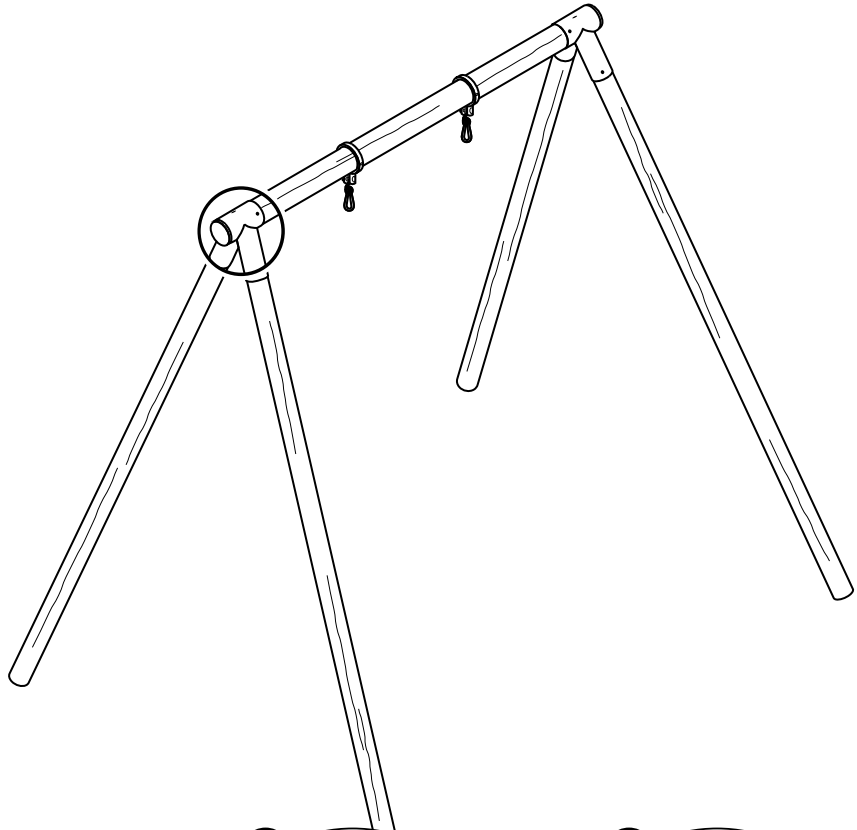
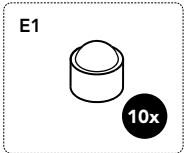


3,5 mm

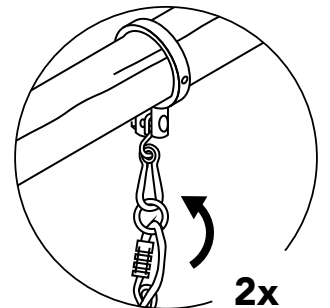
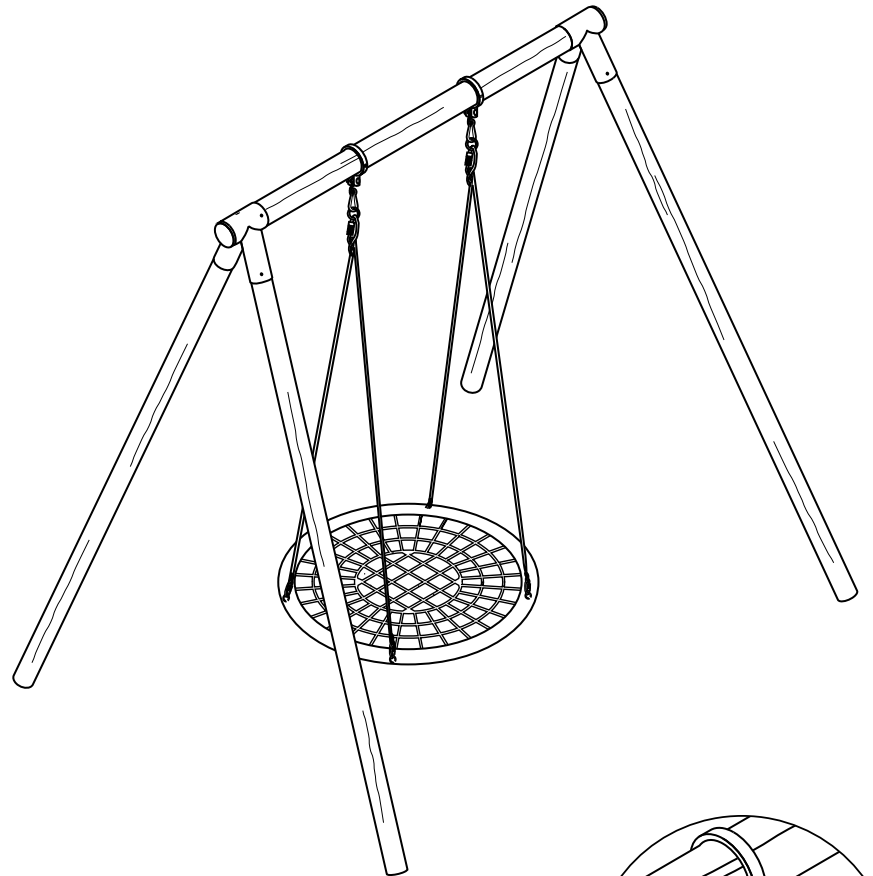
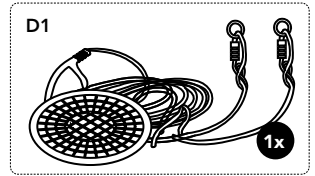


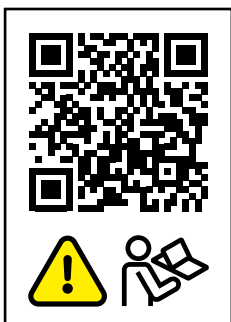
1 cm

6



7





+31(0)318 692 221
www.swingking.nl

Swing King IS A BRAND OF:

HAPRO INTERNATIONAL

Morsestraat 6, 6716 AH Ede - The Netherlands

UK
CE



©2023 SWINGKING ART. NR. 7930004