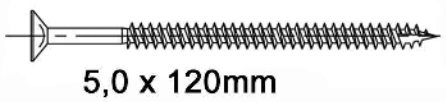



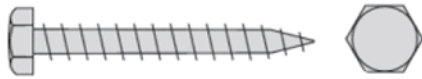

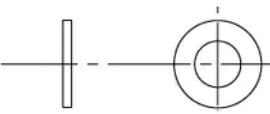
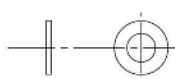
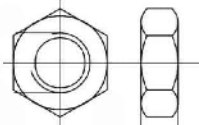
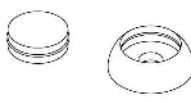


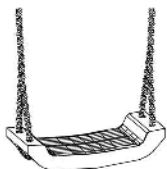





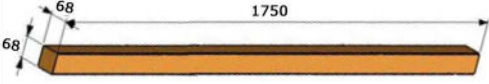
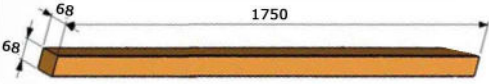
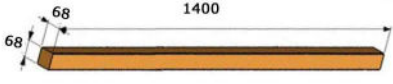
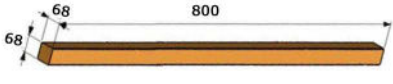
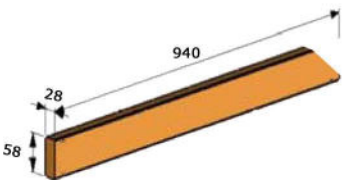
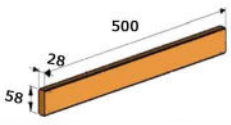
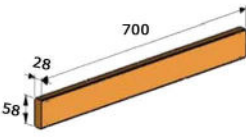
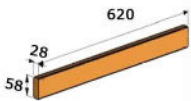
Montage instructies | Assembly instructions | Montageanleitungen | Instructions de montage

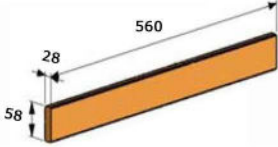
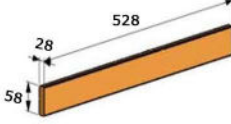
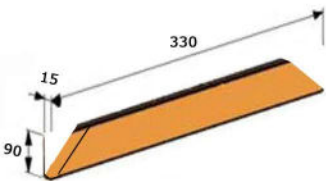
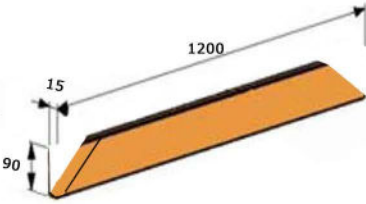
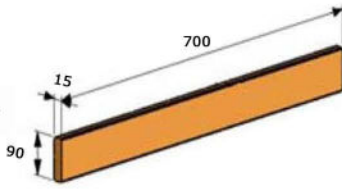


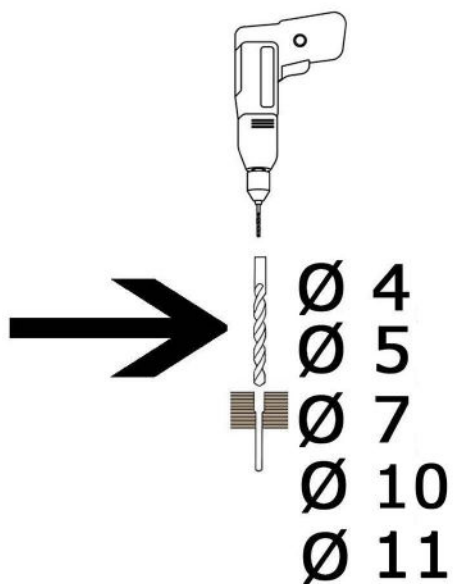
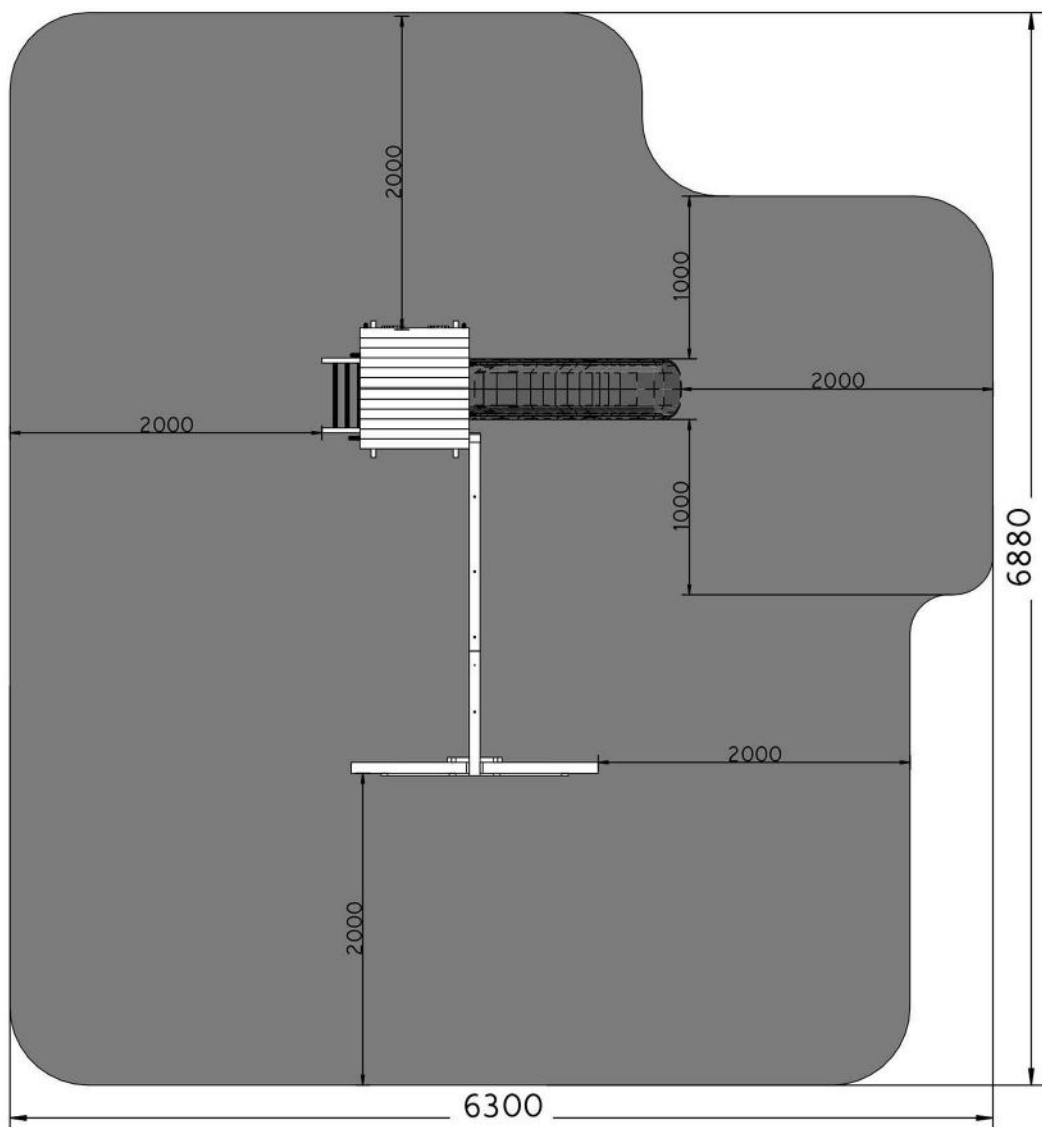
Maria

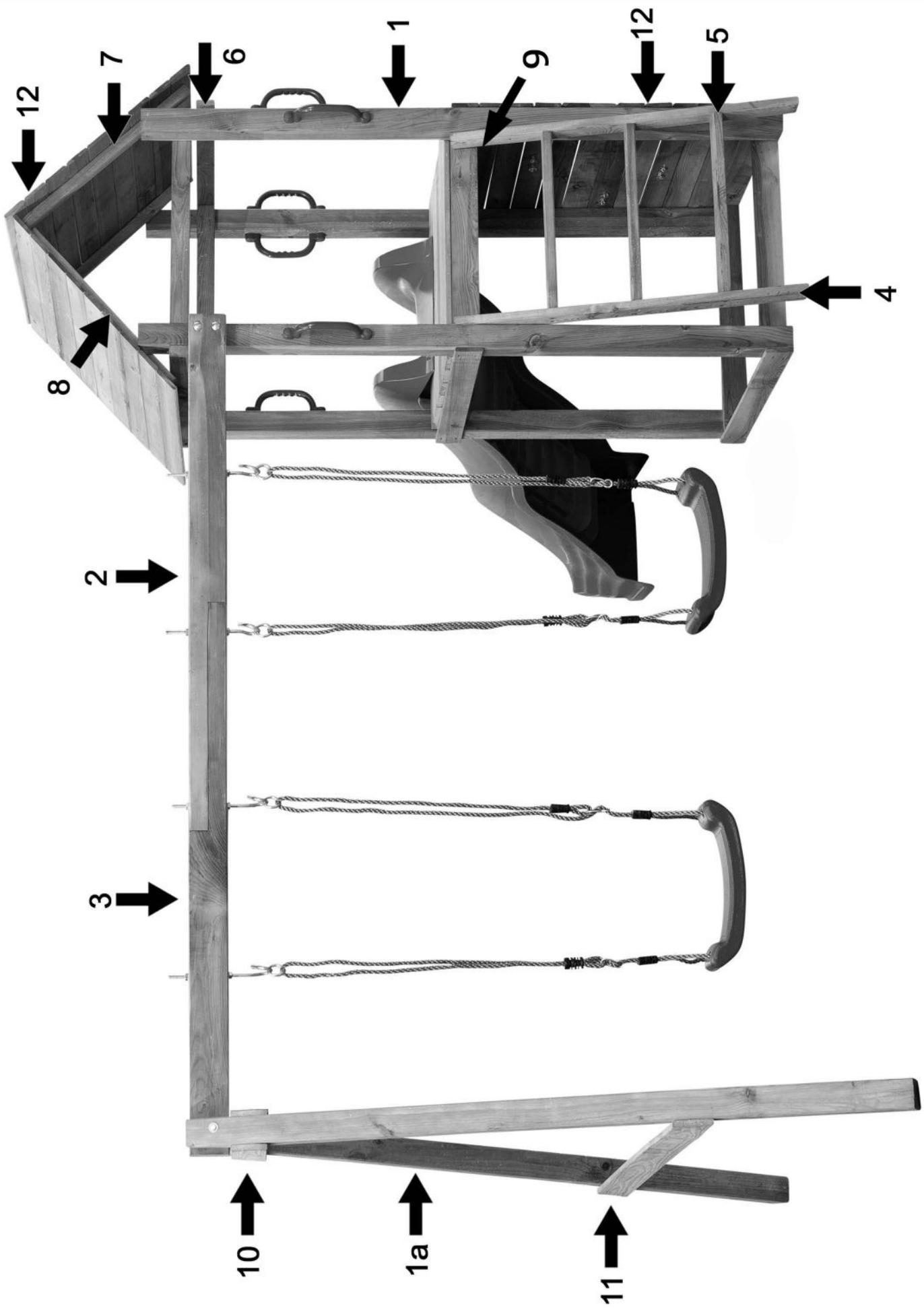
Nr		Pcs
A	 5,0 x 120mm	4
B	 5,0 x 70mm	140
C	 5,0 x 50mm	56
D	 5,0 x 20mm	2
E	 8,0 x 140mm	2
F	 10,0 x 150mm	2
G		2
H		2

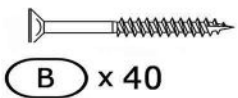
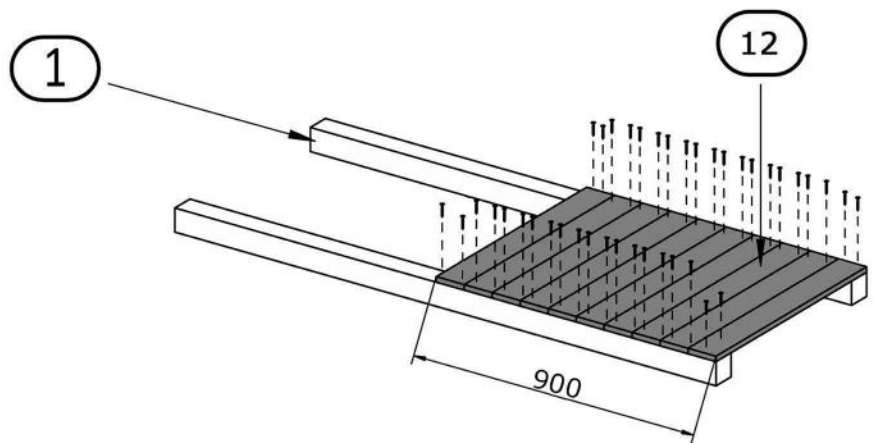
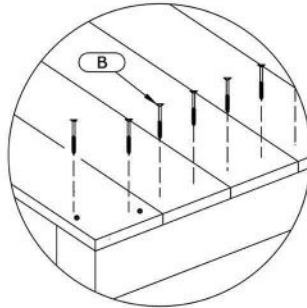
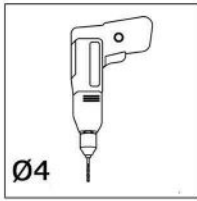
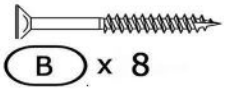
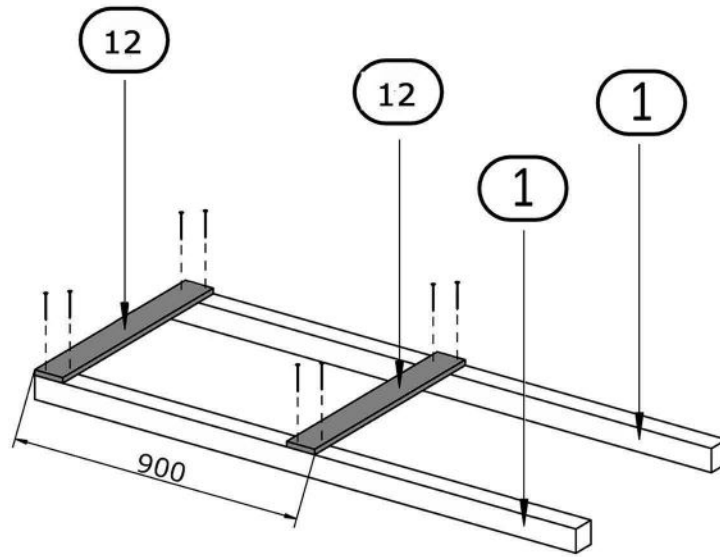
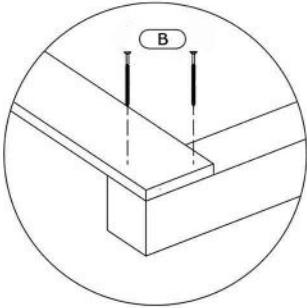
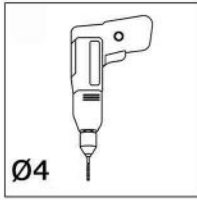
Nr		Pcs
I		2
J		2
K		4
L		6
M		2
N		5
O		1
P	 4,0 x 35mm	4

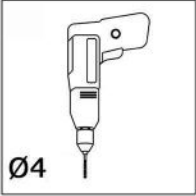
Nr		Pcs
1		4
1a		2
2a		2
3a		2
4a		2
5a		3
6		4
7		2

Nr		Pcs
8		2
9		2
10		2
11		1
12		36

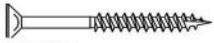
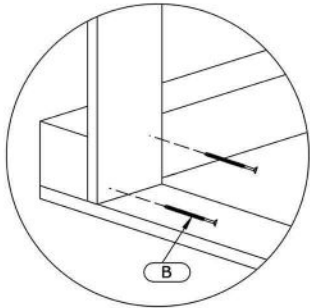
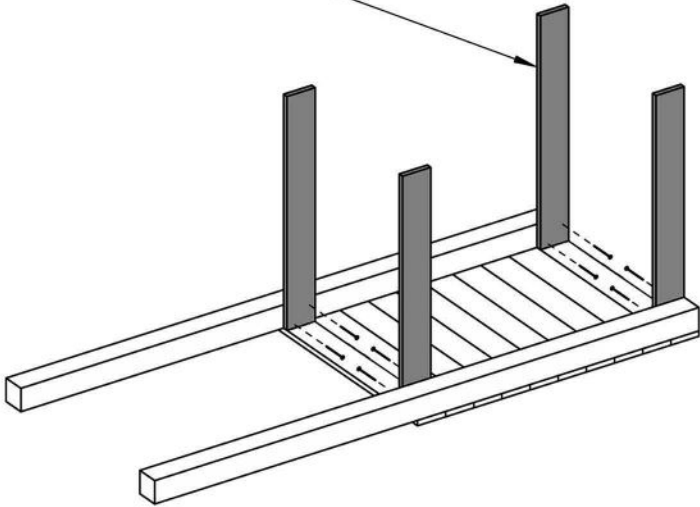




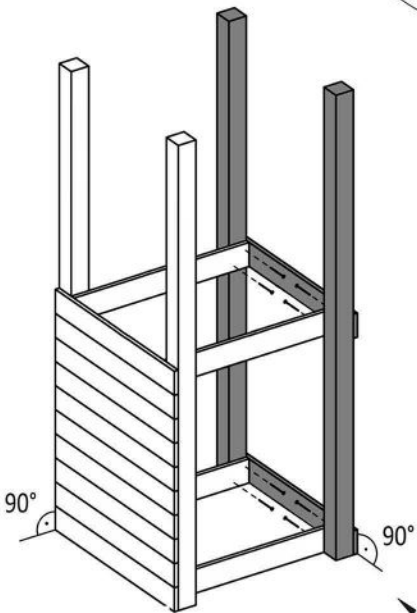
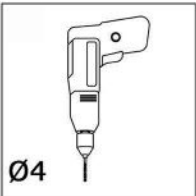
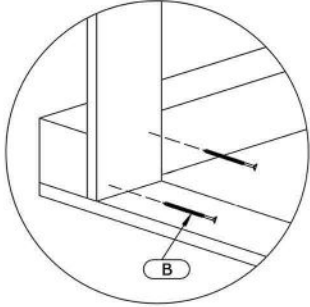




12 x4

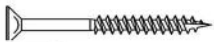


B x 8



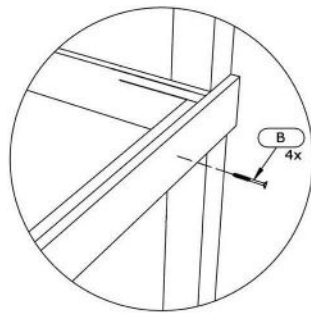
90°

90°

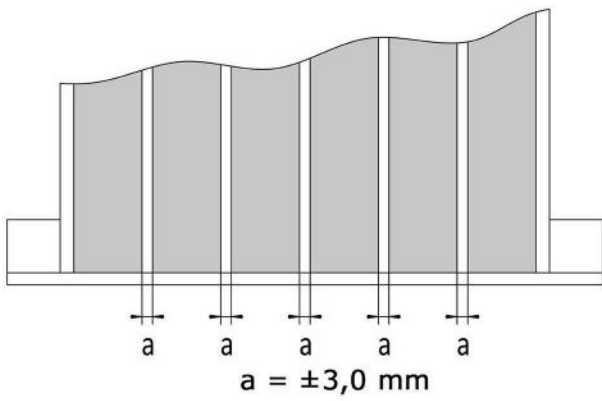
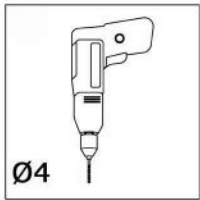
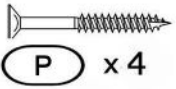
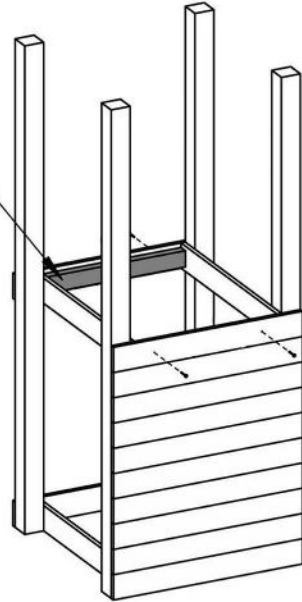


B x 8

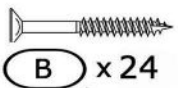
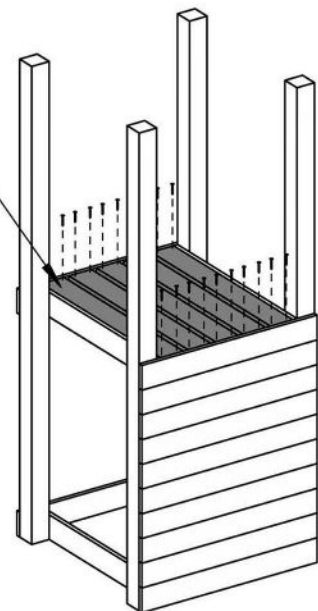
ATTENTION!



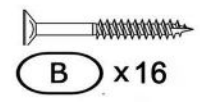
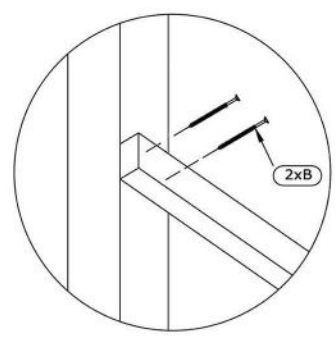
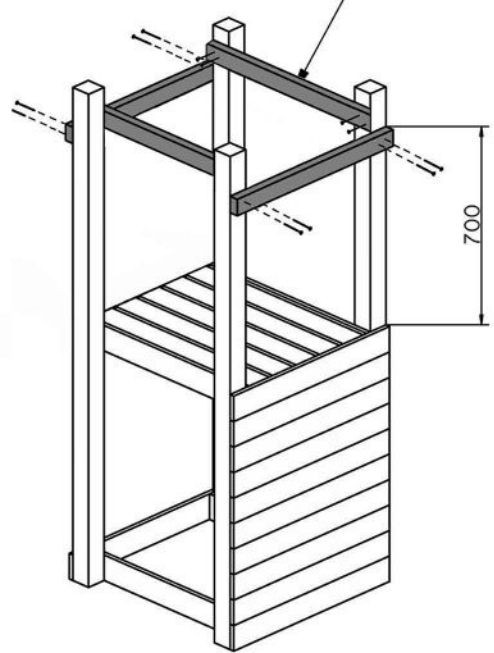
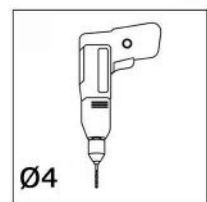
9
x2



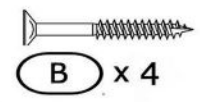
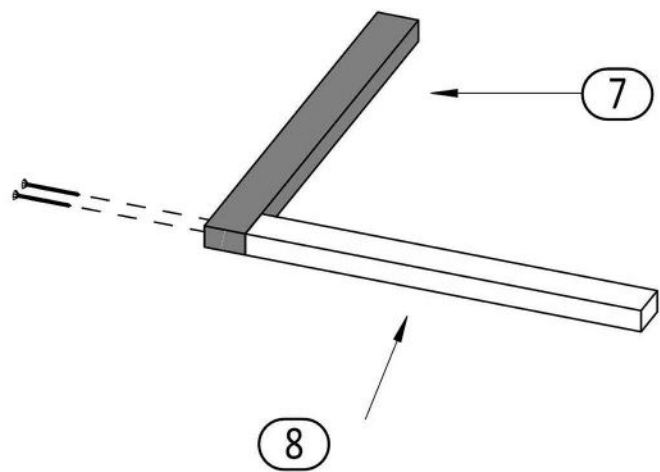
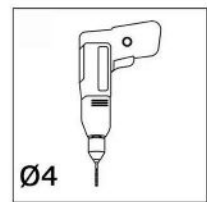
12
x6

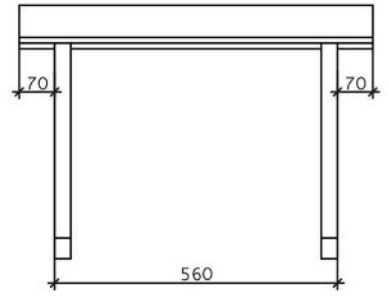
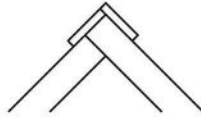
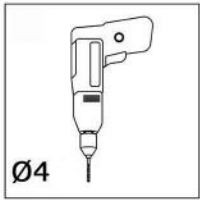


6 x 4

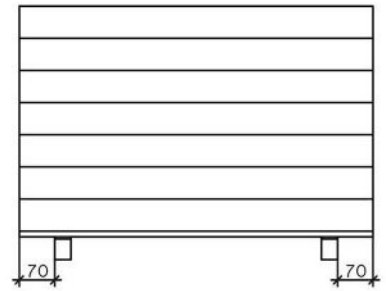
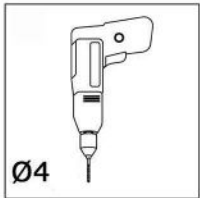
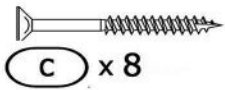
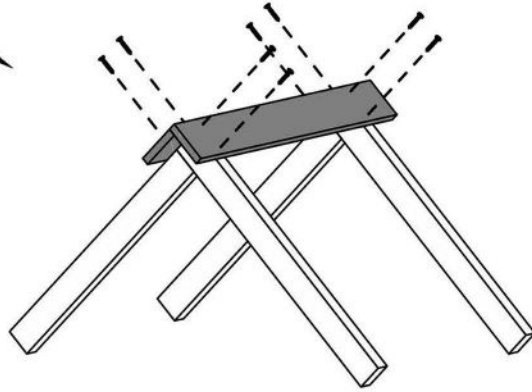


!!! x2

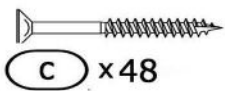
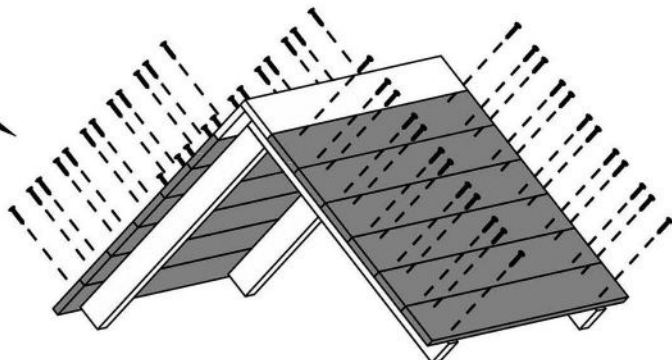


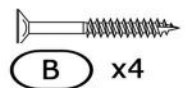
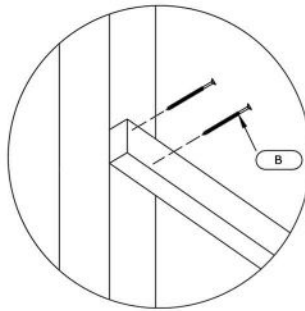
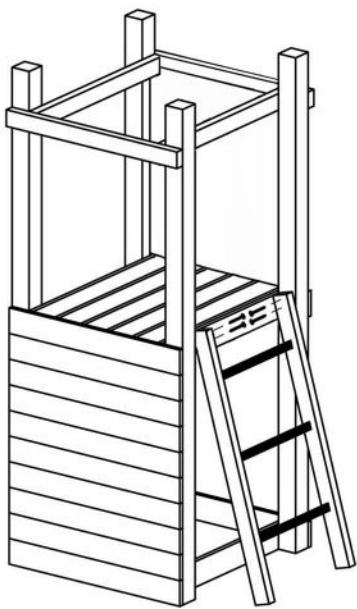
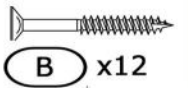
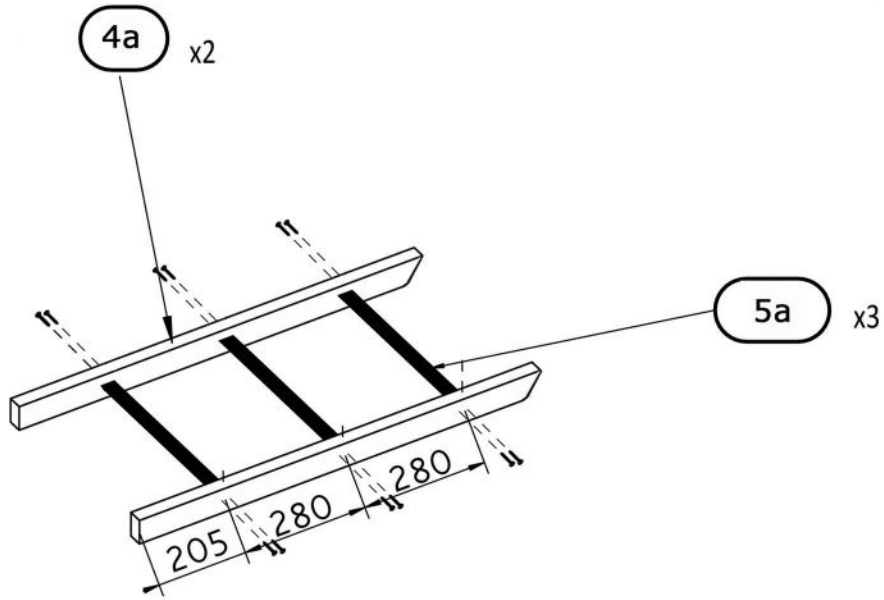


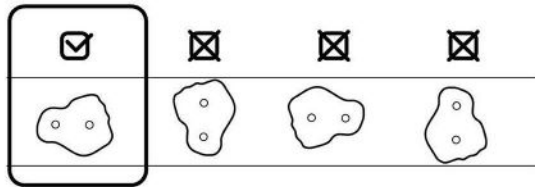
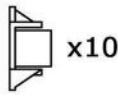
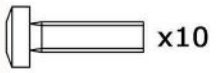
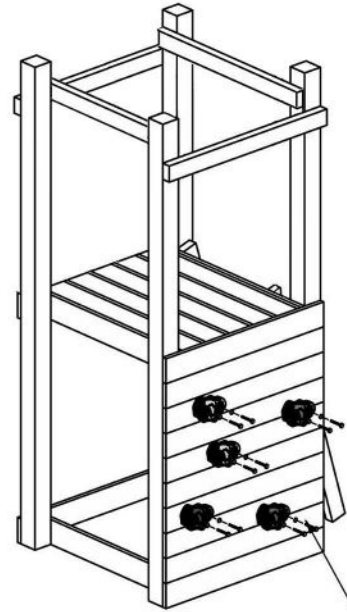
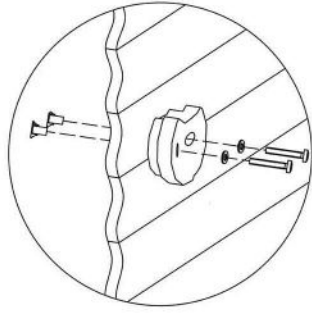
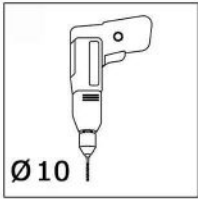
12
x2



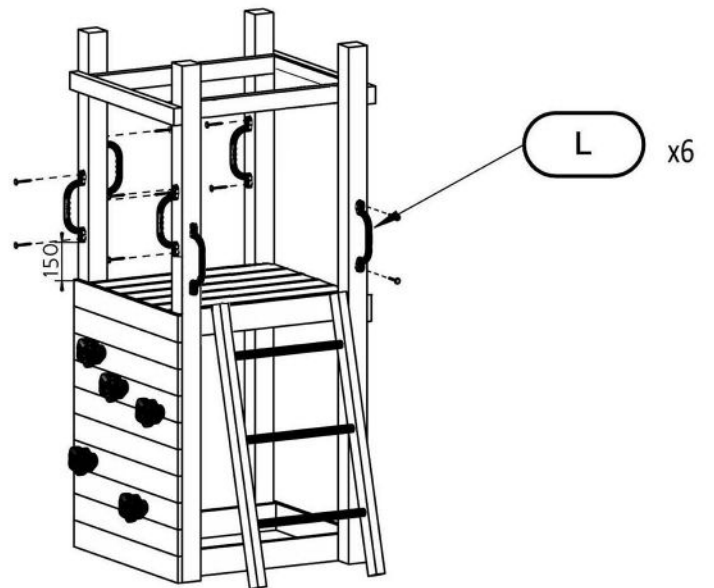
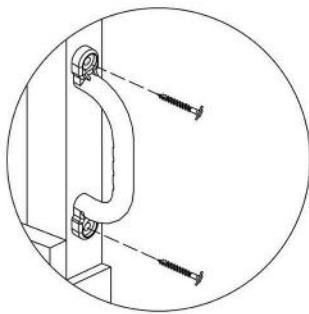
12
x12

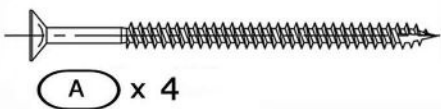
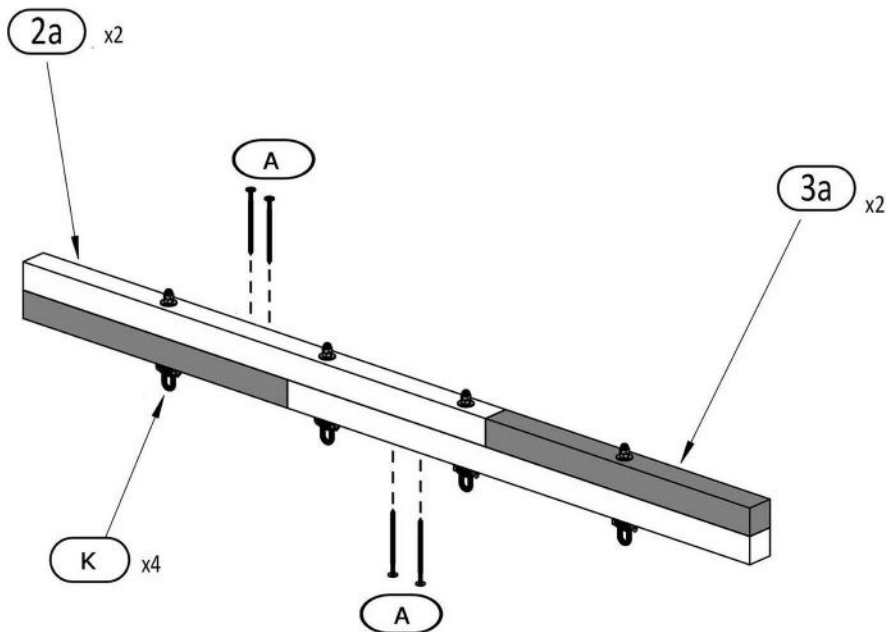
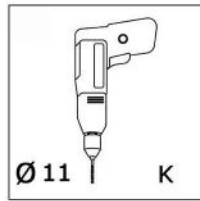
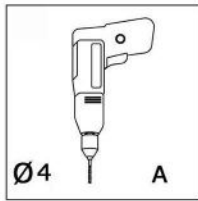
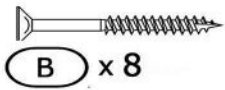
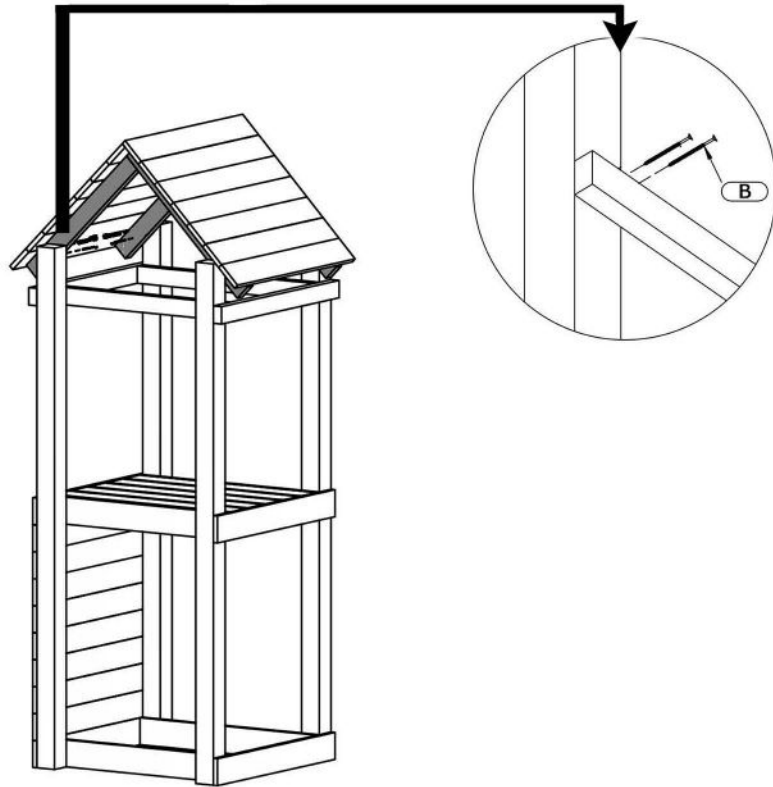
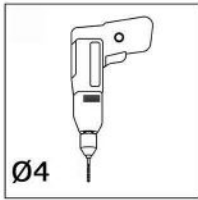


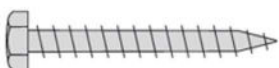
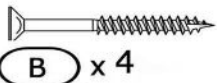
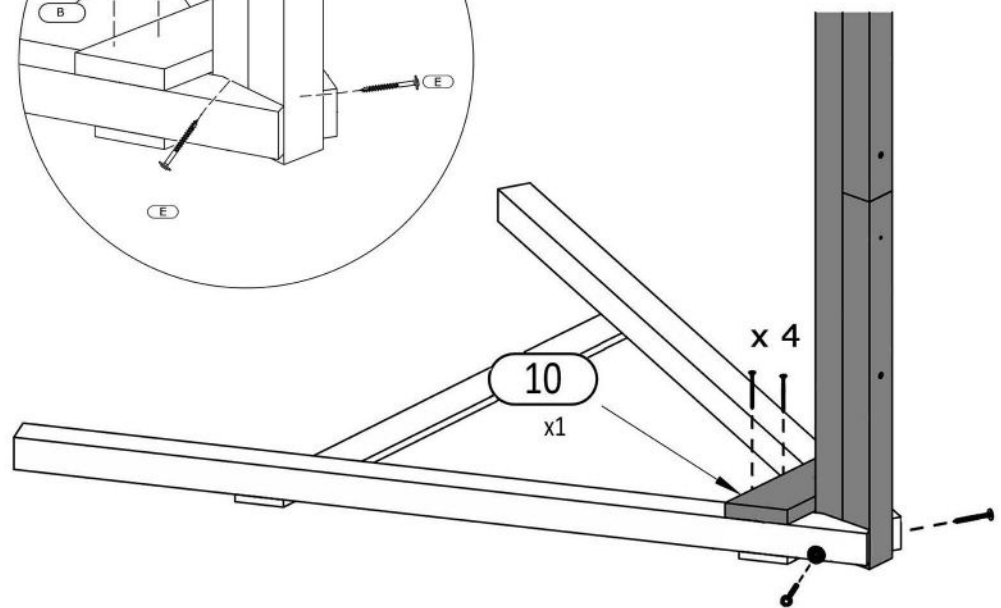
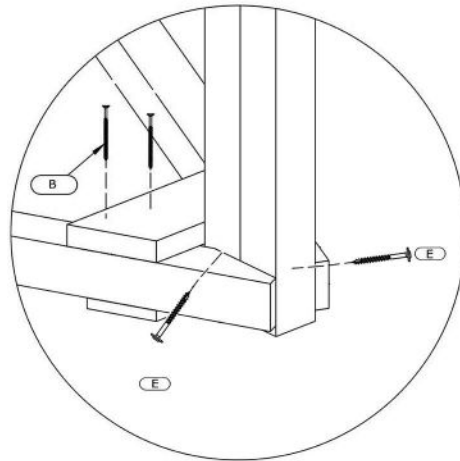
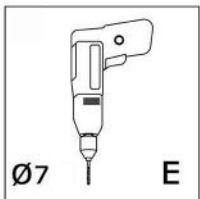
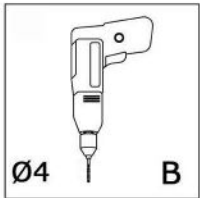
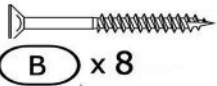
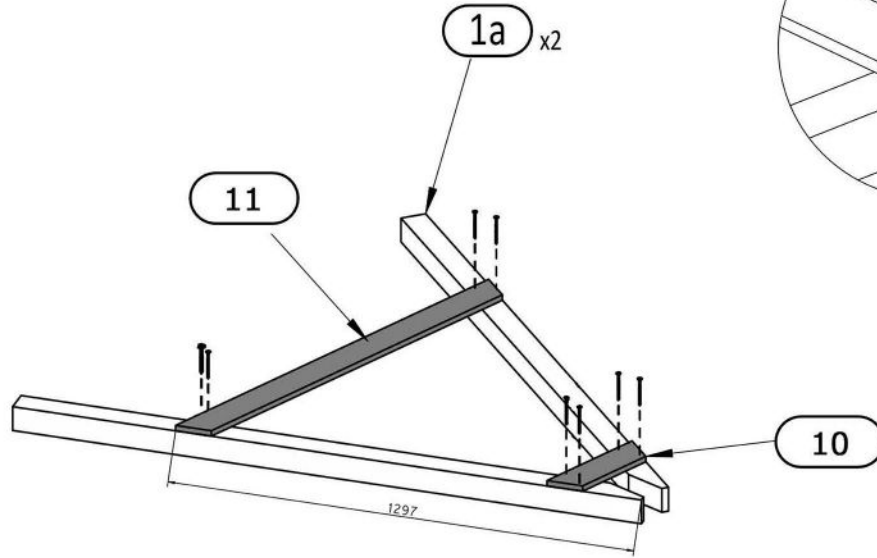
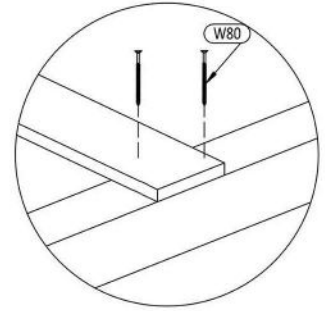
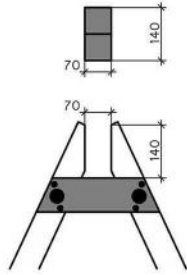
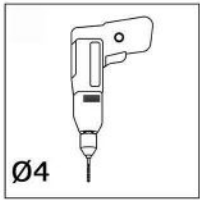




N x5

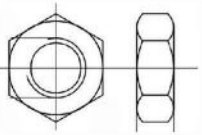
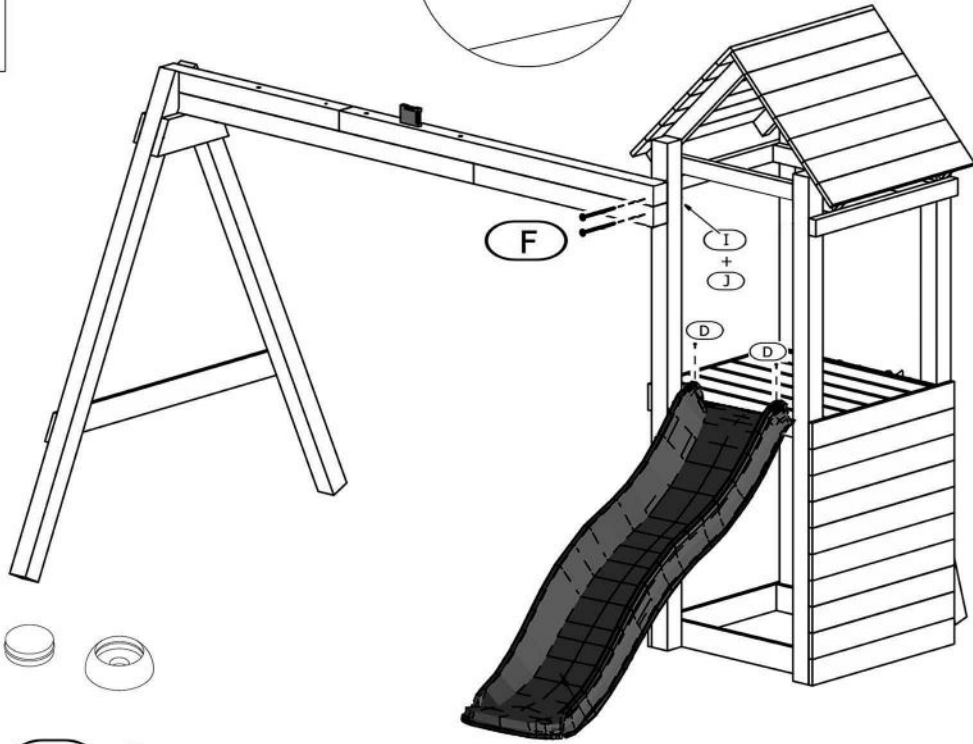
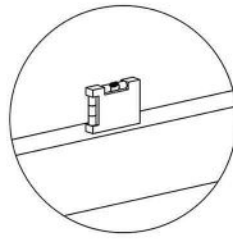
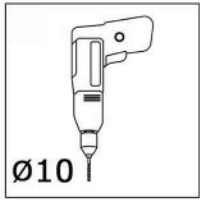






(E) x 2

(H) x 2



I x2



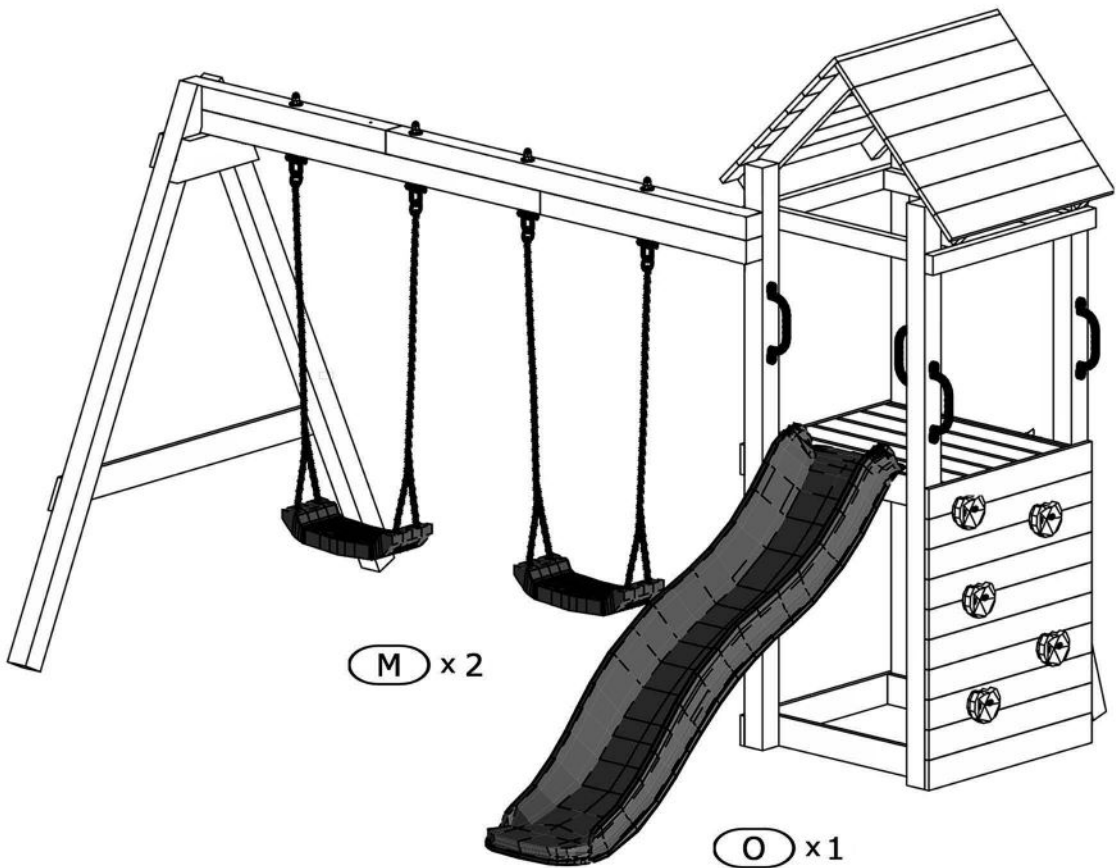
J x2



F x2



D x2



M x2

O x1